

Technical data sheet

GUV 6 joint connector

Item no. 6016572



Joint connector for mesh cable tray, type SGR.

Including FRS M8 x 25 bolt with flange nut.

Figure: Positioning and quantity of mesh cable tray connectors.

50-150 mm = 2 units

200-300 mm = 3 units

400-450 mm = 4 units

500-600 mm = 5 units

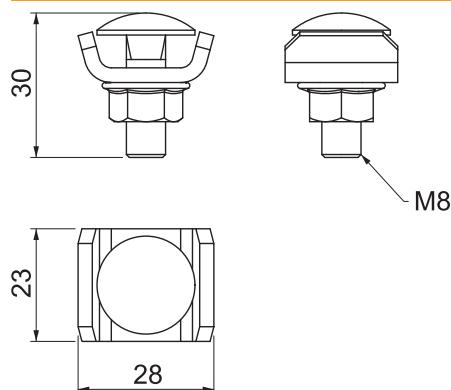


St	Steel
G	Electrogalvanised

Master data

Item no.	6016572
Type	GUV 6 G
Description 1	U-connector
Description 2	for mesh cable tray
Dimension	24x28x30
Material	Steel
Material symbol	St
Surface	Electrogalvanised
Surface to DIN	EN ISO 19598 / EN ISO 4042
Surface symbol	G
Smallest sales unit (VG)	20 Piece
Weight	3,95 kg/100 pc.

Technical data



Length	24,00 mm
Width	28,00 mm
Height	30,00 mm
Suitable for cable tray	<input type="checkbox"/>
Suitable for mesh cable tray	<input checked="" type="checkbox"/>
Suitable for cable ladder	<input type="checkbox"/>
Suitable for maintaining electrical function	<input type="checkbox"/>
Adjustable connector, horizontal	<input type="checkbox"/>
Adjustable connector, vertical	<input type="checkbox"/>
Suitable for mesh cable tray wire	6,00 mm
Rustproof steel, pickled	<input checked="" type="checkbox"/>
Connection type	Screw connector