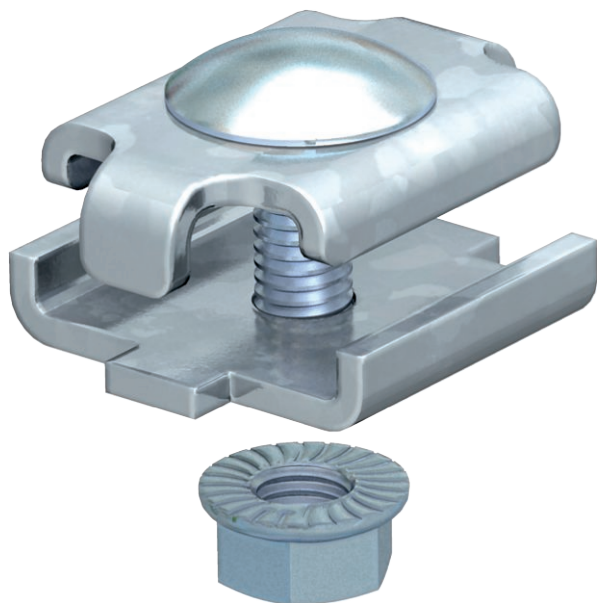


Technical data sheet

Joint connector GSV 34

Item no. 6016634



Screwed version of joint connector for mesh cable trays.

Including FRS M6 x 20 bolt with flange nut.

Figure: Positioning and quantity of mesh cable tray connectors.

50-150 mm = 2 units

200-300 mm = 3 units

400-450 mm = 4 units

500-600 mm = 5 units



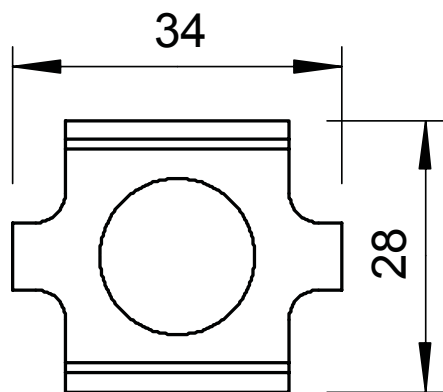
St Steel

FT Hot-dip galvanised

Master data

Item no.	6016634
Type	GSV 34 FT
Description 1	Joint connector
Material	Steel
Material symbol	St
Surface	Hot-dip galvanised
Surface to DIN	DIN EN ISO 1461
Surface symbol	FT
Smallest sales unit (VG)	20 Piece
Weight	3,15 kg/100 pc.

Technical data



Length	34,00 mm
Width	29,00 mm
Height	24,00 mm
Dimension	34 x 27,5 mm
Version	Straight connector
Suitable for cable tray	<input type="checkbox"/>
Suitable for mesh cable tray	<input checked="" type="checkbox"/>
Suitable for cable ladder	<input type="checkbox"/>
Suitable for maintaining electrical function	<input type="checkbox"/>
Adjustable connector, horizontal	<input type="checkbox"/>
Adjustable connector, vertical	<input type="checkbox"/>
Suitable for mesh cable tray wire	3,90 - 4,90 mm
Rustproof steel, pickled	<input type="checkbox"/>
Connection type	Screw connector