

# Technical data sheet

## GRS quick connector

Item no. 6016561



Quick connector for screwless straight connection of mesh cable trays without special tools, for mesh cable trays up to a width of 150 mm.

When selecting the connector, please take the appropriate wire thickness of the mesh cable tray into account.

Figure: Positioning and quantity of mesh cable tray connectors.  
50–150 mm = 2 units

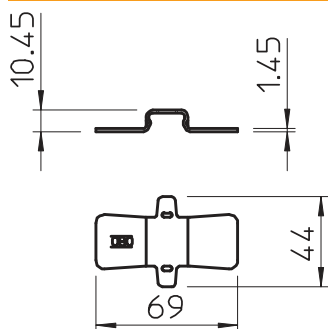


- St** Steel
- DD** Strip galvanised zinc/aluminium, Double Dip

### Master data

Item no.	6016561
Type	GRS 4.8 DD
Description 1	Quick connector
Description 2	for mesh cable tray
Dimension	d 4,8mm
Material	Steel
Material symbol	St
Surface	Strip galvanised zinc/aluminium, Double Dip
Surface to DIN	DIN EN 10346
Surface symbol	DD
Smallest sales unit (VG)	50 Piece
Weight	2,50 kg/100 pc.

### Technical data



Length	69,00 mm
Width	44,00 mm
Height	11,00 mm
Dimension	67 x 44 mm
Version	Straight connector
Plate thickness	1,45 mm
Suitable for cable tray	<input type="checkbox"/>
Suitable for mesh cable tray	<input checked="" type="checkbox"/>
Suitable for cable ladder	<input type="checkbox"/>
Suitable for maintaining electrical function	<input type="checkbox"/>
Adjustable connector, horizontal	<input type="checkbox"/>
Adjustable connector, vertical	<input type="checkbox"/>
Rustproof steel, pickled	<input type="checkbox"/>
Connection type	Screwless connector