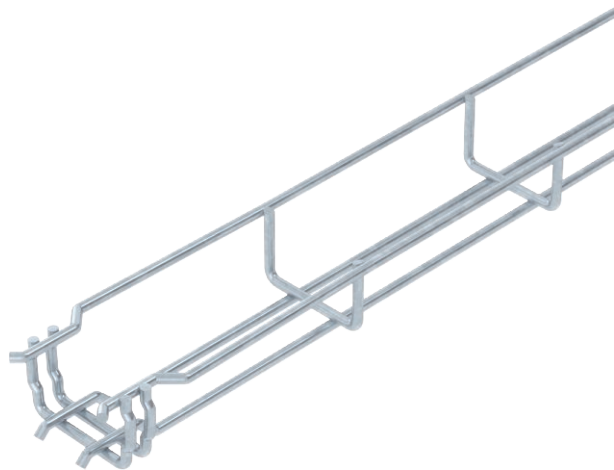


# Technical data sheet

## Mesh cable tray GR-Magic® 35

Item no. 6000069



Mesh cable tray with shaped connector of side height 35 mm.

No additional connection components are required for the mesh cable tray, it is simply interlocked. The grid width is 50 x 100 mm (exception: GRM 35/50 = 20 x 100 mm).

Magnetic shield insulation without cover 15 dB, with cover 25 dB.



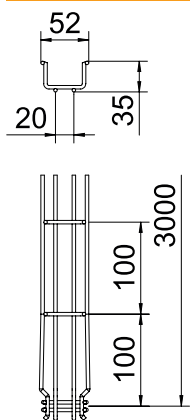
**St** Steel

**FT** Hot-dip galvanised

### Master data

Item no.	6000069
Type	GRM 35 50 FT
Description 1	Mesh cable tray GRM
Dimension	35x50x3000
Material	Steel
Material symbol	St
Surface	Hot-dip galvanised
Surface to DIN	DIN EN ISO 1461
Surface symbol	FT
Smallest sales unit (VG)	3 m
Weight	46,00 kg/100 m

### Technical data



Length	3.000,00 mm
Width	50,00 mm
Height	35,00 mm
Side height	34,00 mm
Dimension B	52,00 mm
Connector version	Integrated connector
Wire diameter	3,90 mm
Suitable for maintaining electrical function	<input type="checkbox"/>
Integrated partition	Without
Usable cross-section	17,50 cm <sup>2</sup>
Usable cross-section	1.750,00 mm <sup>2</sup>
Profile shape	U-shaped
Rustproof steel, pickled	<input type="checkbox"/>
Wide-span version	<input type="checkbox"/>

### Appr. load:

Support spacing 1.0 m	0,25 kN/m
Support spacing 1.5 m	0,11 kN/m
Support spacing 2.0 m	0,10 kN/m

### Technical data