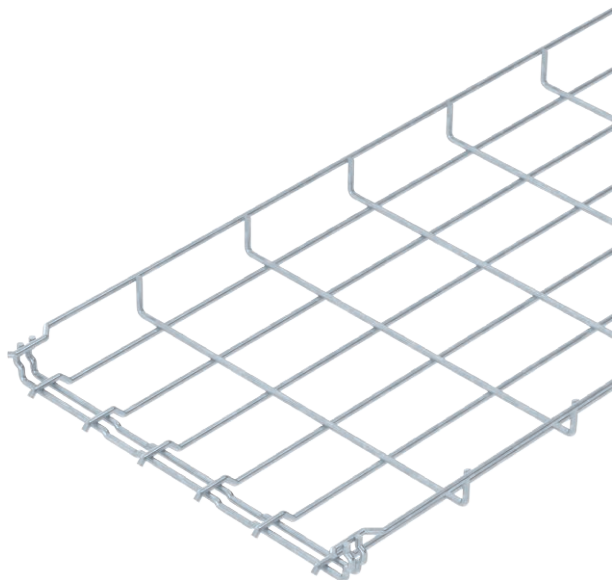


Technical data sheet

Mesh cable tray GR-Magic® 35

Item no. 6000075



Mesh cable tray with shaped connector of side height 35 mm.

No additional connection components are required for the mesh cable tray, it is simply interlocked. The grid width is 50 x 100 mm (exception: GRM 35/50 = 20 x 100 mm).

Magnetic shield insulation without cover 15 dB, with cover 25 dB.

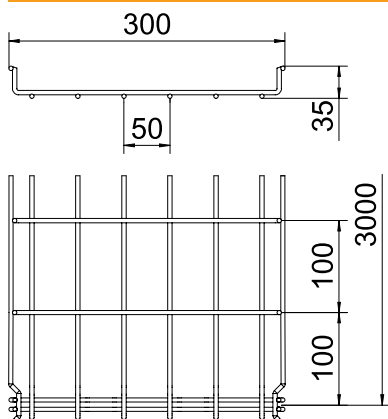


- St** Steel
- FT** Hot-dip galvanised

Master data

Item no.	6000075
Type	GRM 35 300 FT
Description 1	Mesh cable tray GRM
Dimension	35x300x3000
Material	Steel
Material symbol	St
Surface	Hot-dip galvanised
Surface to DIN	DIN EN ISO 1461
Surface symbol	FT
Smallest sales unit (VG)	3 m
Weight	165,33 kg/100 m

Technical data



Length	3.000,00 mm
Width	300,00 mm
Height	35,00 mm
Side height	35,00 mm
Dimension B	300,00 mm
Connector version	Integrated connector
Wire diameter	4,80 mm
Suitable for maintaining electrical function	<input type="checkbox"/>
Integrated partition	Without
Usable cross-section	105,00 cm ²
Usable cross-section	10.500,00 mm ²
Profile shape	U-shaped
Rustproof steel, pickled	<input type="checkbox"/>
Wide-span version	<input type="checkbox"/>

Appr. load:

Support spacing 1.0 m	0,75 kN/m
Support spacing 1.5 m	0,22 kN/m
Support spacing 2.0 m	0,15 kN/m

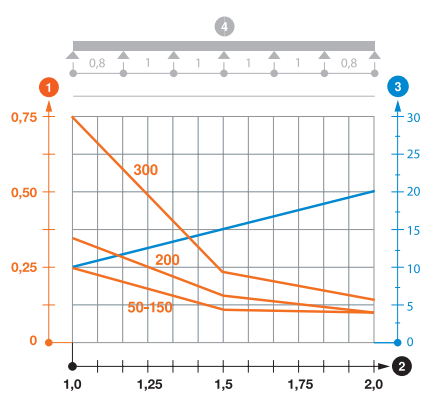
Technical data sheet

Mesh cable tray GR-Magic® 35

Item no. 6000075



Technical data



Load diagram, GR-Magic mesh cable tray, type GRM 35

- 1 Permitted cable tray/ladder load in kN/m without man load
- 2 Support width in m
- 3 Rail bend in mm at permitted kN/m
- 4 Load scheme during testing
- Load curve with cable tray/ladder width in mm
- Strut bend curve according to support width