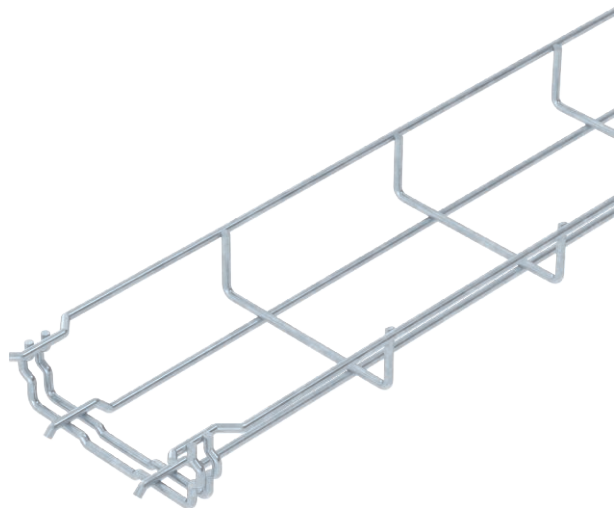


Technical data sheet

Mesh cable tray GR-Magic® 35

Item no. 6000071



Mesh cable tray with shaped connector of side height 35 mm.

No additional connection components are required for the mesh cable tray, it is simply interlocked. The grid width is 50 x 100 mm (exception: GRM 35/50 = 20 x 100 mm).

Magnetic shield insulation without cover 15 dB, with cover 25 dB.



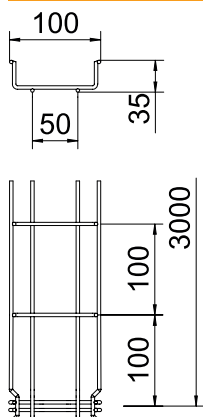
St Steel

FT Hot-dip galvanised

Master data

Item no.	6000071
Type	GRM 35 100 FT
Description 1	Mesh cable tray GRM
Dimension	35x100x3000
Material	Steel
Material symbol	St
Surface	Hot-dip galvanised
Surface to DIN	DIN EN ISO 1461
Surface symbol	FT
Smallest sales unit (VG)	3 m
Weight	50,33 kg/100 m

Technical data



Length	3.000,00 mm
Width	100,00 mm
Height	35,00 mm
Side height	35,00 mm
Dimension B	100,00 mm
Connector version	Integrated connector
Wire diameter	3,90 mm
Suitable for maintaining electrical function	<input type="checkbox"/>
Integrated partition	Without
Usable cross-section	35,00 cm ²
Usable cross-section	3.500,00 mm ²
Profile shape	U-shaped
Rustproof steel, pickled	<input type="checkbox"/>
Wide-span version	<input type="checkbox"/>

Appr. load:

Support spacing 1.0 m	0,25 kN/m
Support spacing 1.5 m	0,11 kN/m
Support spacing 2.0 m	0,10 kN/m

Technical data