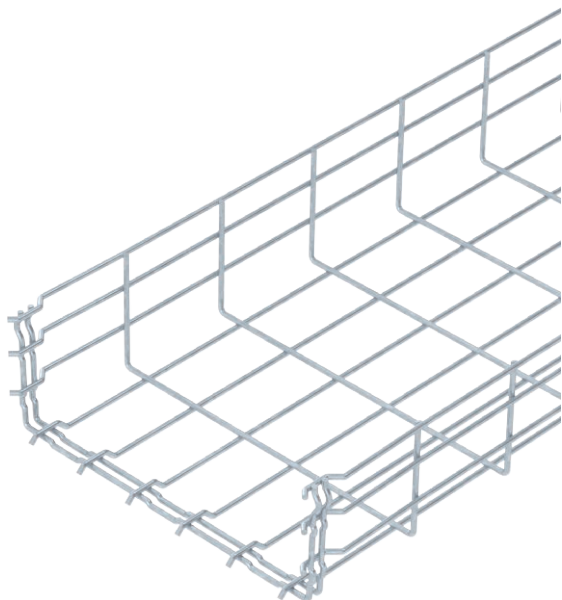


Technical data sheet

Mesh cable tray GR-Magic® 105

Item no. 6002437



Mesh cable tray with shaped connector of side height 105 mm.

No additional connection components are required for the mesh cable tray, it is simply interlocked. The grid width is 50 x 100 mm.

Magnetic shield insulation without cover 15 dB, with cover 25 dB.

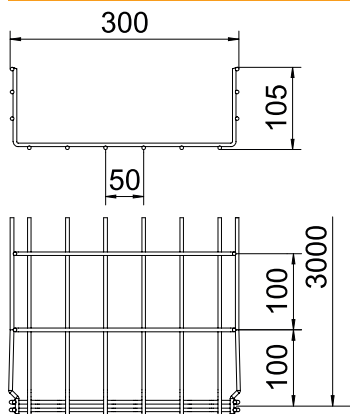


| | |
|-----------|--------------------|
| St | Steel |
| FT | Hot-dip galvanised |

Master data

| | |
|--------------------------|---------------------|
| Item no. | 6002437 |
| Type | GRM 105 300 FT |
| Description 1 | Mesh cable tray GRM |
| Dimension | 105x300x3000 |
| Material | Steel |
| Material symbol | St |
| Surface | Hot-dip galvanised |
| Surface to DIN | DIN EN ISO 1461 |
| Surface symbol | FT |
| Smallest sales unit (VG) | 3 m |
| Weight | 244,00 kg/100 m |

Technical data



| | |
|--|-------------------------------------|
| Length | 3.000,00 mm |
| Width | 300,00 mm |
| Height | 105,00 mm |
| Side height | 105,00 mm |
| Dimension B | 300,00 mm |
| Dimension H | 108,00 mm |
| Connector version | Integrated connector |
| Wire diameter | 4,80 mm |
| Suitable for maintaining electrical function | <input type="checkbox"/> |
| Integrated partition | Without |
| Usable cross-section | 268,00 cm ² |
| Usable cross-section | 26.800,00 mm ² |
| Profile shape | U-shaped |
| Rustproof steel, pickled | <input type="checkbox"/> |
| Screwless connector | <input checked="" type="checkbox"/> |
| Wide-span version | <input type="checkbox"/> |

Technical data sheet

Mesh cable tray GR-Magic® 105

Item no. 6002437

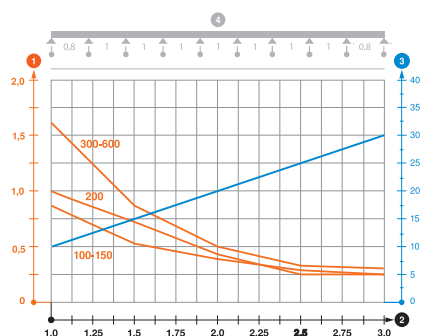


Technical data

Appr. load:

| | |
|-----------------------|-----------|
| Support spacing 1.0 m | 1,60 kN/m |
| Support spacing 1.5 m | 0,80 kN/m |
| Support spacing 2.0 m | 0,50 kN/m |
| Support spacing 2.5 m | 0,33 kN/m |
| Support spacing 3.0 m | 0,30 kN/m |

Load diagram, mesh cable tray, type GRM 105



1 Permitted cable tray/ladder load in kN/m without man load

2 Support width in m

3 Rail bend in mm at permitted kN/m

4 Load scheme during testing

— Load curve with cable tray/ladder width in mm

— Strut bend curve according to support width