

# Technical data sheet

## Centre suspension mesh cable tray

Item no. 6015255



Two-part centre suspension of mesh cable trays.

When filling with cables, please ensure an even distribution. The maximum recommended mesh cable tray width is 200 mm.

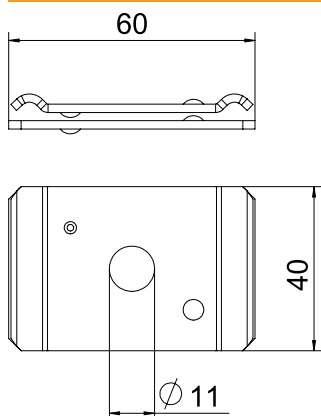


- St** Steel
- FT** Hot-dip galvanised

### Master data

Item no.	6015255
Type	GMA M10 FT
Description 1	Centre suspension
Description 2	for threaded rod M10
Dimension	60x40
Material	Steel
Material symbol	St
Surface	Hot-dip galvanised
Surface to DIN	DIN EN ISO 1461
Surface symbol	FT
Smallest sales unit (VG)	25 Piece
Weight	8,40 kg/100 pc.

### Technical data



Length	65,00 mm
Width	40,00 mm
Height	6,50 mm
Version	Suspended
Suitable for maintaining electrical function	<input type="checkbox"/>
Hole diameter	11,00 mm
Adjustable	<input type="checkbox"/>