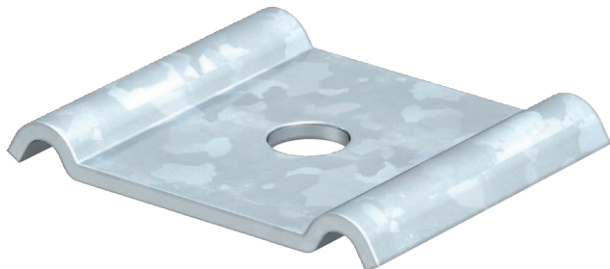


Technical data sheet

GKS 50 hold-down clamp

Item no. 6015278



Clamp for fastening mesh cable trays.

Use on mesh cable trays with 50 x 100 mm grid only.



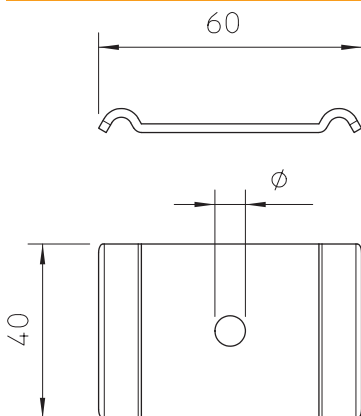
St Steel

FT Hot-dip galvanised

Master data

Item no.	6015278
Type	GKS 50 11 FT
Description 1	Hold-down clamp
Description 2	for screw M10
Dimension	60x40
Material	Steel
Material symbol	St
Surface	Hot-dip galvanised
Surface to DIN	DIN EN ISO 1461
Surface symbol	FT
Smallest sales unit (VG)	50 Piece
Weight	4,10 kg/100 pc.

Technical data



Dimension	60 x 40 mm
Suitable for cable tray	<input type="checkbox"/>
Suitable for mesh cable tray	<input checked="" type="checkbox"/>
Suitable for cable ladder	<input type="checkbox"/>
Hole diameter	11,00 mm
Rustproof steel, pickled	<input type="checkbox"/>
Connection type	Other