

Technical data sheet

GKS 50 hold-down clamp

Item no. 6015263



Clamp for fastening mesh cable trays.

Use on mesh cable trays with 50 x 100 mm grid only.



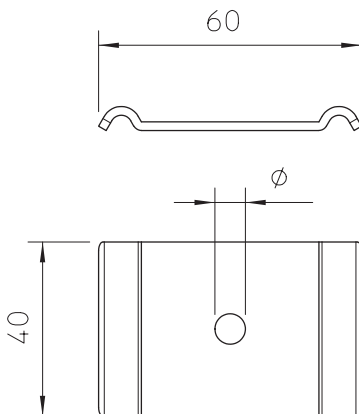
St Steel

FS Strip galvanised

Master data

Item no.	6015263
Type	GKS 50 07 FS
Description 1	Hold-down clamp
Description 2	for screw M6
Dimension	60x40
Material	Steel
Material symbol	St
Surface	Strip galvanised
Surface to DIN	DIN EN 10346
Surface symbol	FS
Smallest sales unit (VG)	50 Piece
Weight	3,52 kg/100 pc.

Technical data



Dimension	60 x 40 mm
Suitable for cable tray	<input type="checkbox"/>
Suitable for mesh cable tray	<input checked="" type="checkbox"/>
Suitable for cable ladder	<input type="checkbox"/>
Hole diameter	7,00 mm
Rustproof steel, pickled	<input type="checkbox"/>
Connection type	Other