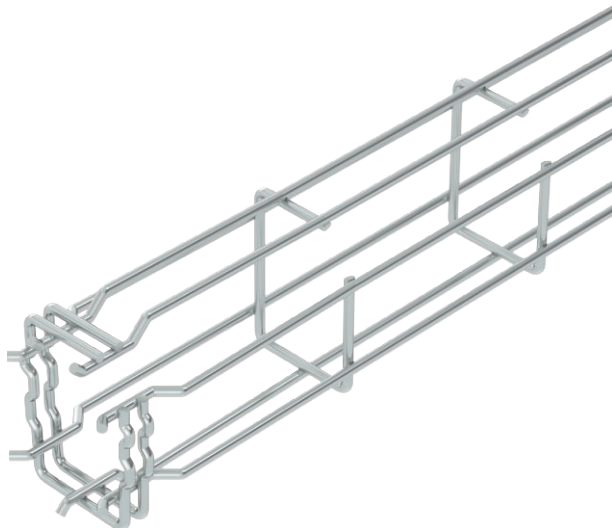


# Technical data sheet

## G mesh cable tray Magic® 75

Item no. 6005538



G-shaped mesh cable tray made of spot-welded steel wire with different side heights and widths. Direct wall or ceiling mounting possible. Load capacity details regarding the different mounting methods are available upon request.

Magnetic shield insulation 15 dB.

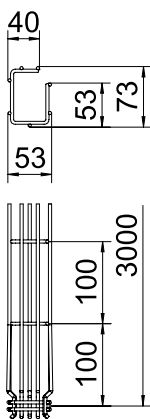


|           |                   |
|-----------|-------------------|
| <b>St</b> | Steel             |
| <b>G</b>  | Electrogalvanised |

### Master data

|                          |                            |
|--------------------------|----------------------------|
| Item no.                 | 6005538                    |
| Type                     | G-GRM 75 50 G              |
| Description 1            | G mesh cable tray Magic    |
| Dimension                | 75x50x3000                 |
| Material                 | Steel                      |
| Material symbol          | St                         |
| Surface                  | Electrogalvanised          |
| Surface to DIN           | EN ISO 19598 / EN ISO 4042 |
| Surface symbol           | G                          |
| Smallest sales unit (VG) | 3 m                        |
| Weight                   | 79,87 kg/100 m             |

### Technical data



|  |                                     |
|--|-------------------------------------|
| Length                                       | 3.000,00 mm                         |
| Width  | 50,00 mm                            |
| Height                                       | 75,00 mm                            |
| Side height                                  | 75,00 mm                            |
| Dimension A                                  | 53,00 mm                            |
| Dimension B                                  | 53,00 mm                            |
| Dimension C                                  | 38,00 mm                            |
| Dimension H                                  | 73,00 mm                            |
| Connector version                            | Integrated connector                |
| Wire diameter                                | 3,90 mm                             |
| Suitable for maintaining electrical function | <input checked="" type="checkbox"/> |
| Integrated partition                         | Without                             |
| Usable cross-section                         | 22,00 cm <sup>2</sup>               |
| Usable cross-section                         | 2.200,00 mm <sup>2</sup>            |
| Profile shape                                | G-shaped                            |
| Rustproof steel, pickled                     | <input type="checkbox"/>            |
| Wide-span version                            | <input type="checkbox"/>            |