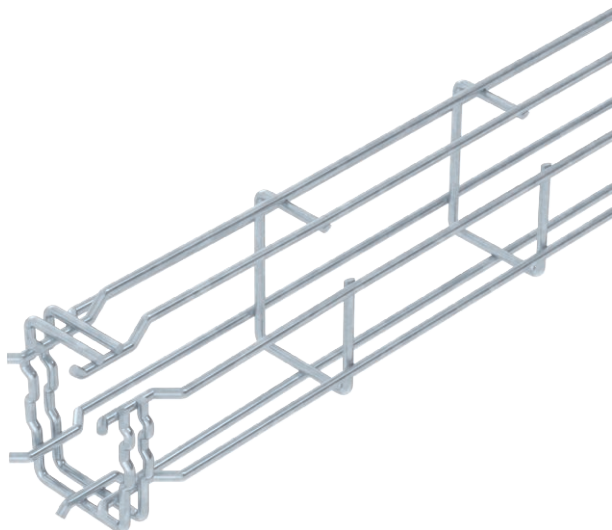


# Technical data sheet

## G mesh cable tray Magic® 75

Item no. 6005523



G-shaped mesh cable tray made of spot-welded steel wire with different side heights and widths. Direct wall or ceiling mounting possible. Load capacity details regarding the different mounting methods are available upon request.

Magnetic shield insulation 15 dB.

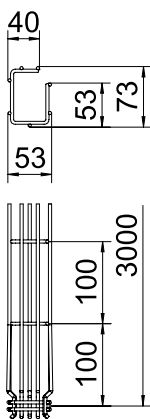


- St** Steel
- FT** Hot-dip galvanised

### Master data

|                          |                         |
|--------------------------|-------------------------|
| Item no.                 | 6005523                 |
| Type                     | G-GRM 75 50 FT          |
| Description 1            | G mesh cable tray Magic |
| Dimension                | 75x50x3000              |
| Material                 | Steel                   |
| Material symbol          | St                      |
| Surface                  | Hot-dip galvanised      |
| Surface to DIN           | DIN EN ISO 1461         |
| Surface symbol           | FT                      |
| Smallest sales unit (VG) | 3 m                     |
| Weight                   | 83,70 kg/100 m          |

### Technical data



|  |                          |
|--|--------------------------|
| Length                                       | 3.000,00 mm              |
| Width  | 50,00 mm                 |
| Height                                       | 75,00 mm                 |
| Side height                                  | 75,00 mm                 |
| Dimension A                                  | 53,00 mm                 |
| Dimension B                                  | 53,00 mm                 |
| Dimension C                                  | 38,00 mm                 |
| Dimension H                                  | 73,00 mm                 |
| Connector version                            | Integrated connector     |
| Wire diameter                                | 3,90 mm                  |
| Suitable for maintaining electrical function | <input type="checkbox"/> |
| Integrated partition                         | Without                  |
| Usable cross-section                         | 22,00 cm <sup>2</sup>    |
| Usable cross-section                         | 2.200,00 mm <sup>2</sup> |
| Profile shape                                | G-shaped                 |
| Rustproof steel, pickled                     | <input type="checkbox"/> |
| Wide-span version                            | <input type="checkbox"/> |