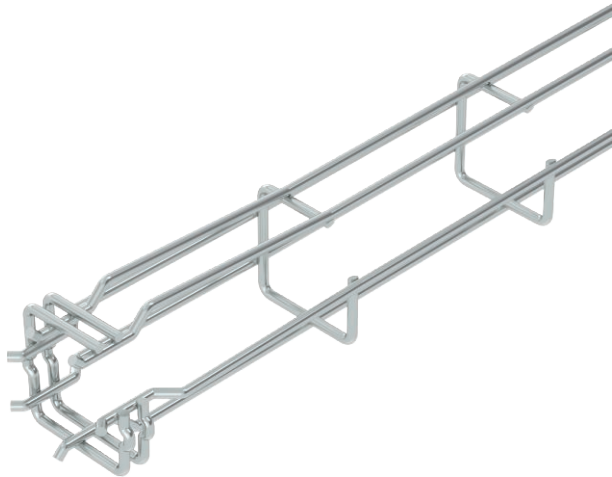


Technical data sheet

G mesh cable tray Magic® 50

Item no. 6005535



G-shaped mesh cable tray made of spot-welded steel wire with different side heights and widths. Direct wall or ceiling mounting possible. Load capacity details regarding the different mounting methods are available upon request.

Magnetic shield insulation 15 dB.

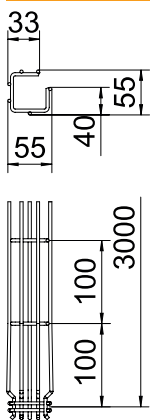


St	Steel
G	Electrogalvanised

Master data

Item no.	6005535
Type	G-GRM 50 50 G
Description 1	G mesh cable tray Magic
Dimension	50x50x3000
Material	Steel
Material symbol	St
Surface	Electrogalvanised
Surface to DIN	EN ISO 19598 / EN ISO 4042
Surface symbol	G
Smallest sales unit (VG)	3 m
Weight	67,07 kg/100 m

Technical data



Length	3.000,00 mm
Width	50,00 mm
Height	50,00 mm
Side height	50,00 mm
Dimension A	38,00 mm
Dimension B	55,00 mm
Dimension C	33,00 mm
Dimension H	55,00 mm
Connector version	Integrated connector
Wire diameter	3,90 mm
Suitable for maintaining electrical function	<input type="checkbox"/>
Integrated partition	Without
Usable cross-section	17,00 cm ²
Usable cross-section	1.700,00 mm ²
Profile shape	G-shaped
Rustproof steel, pickled	<input type="checkbox"/>
Wide-span version	<input type="checkbox"/>