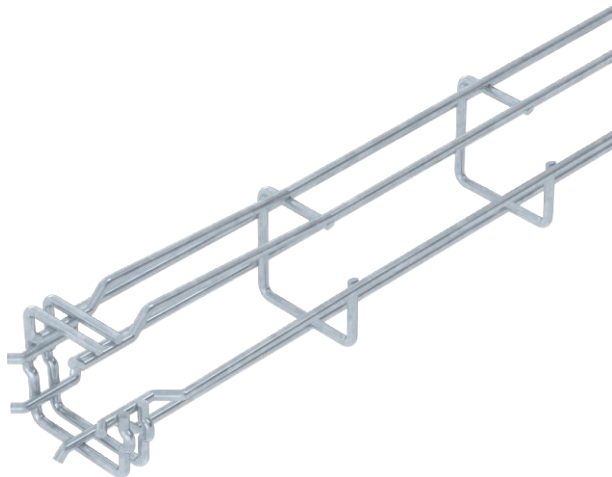


# Technical data sheet

## G mesh cable tray Magic® 50

Item no. 6005520



G-shaped mesh cable tray made of spot-welded steel wire with different side heights and widths. Direct wall or ceiling mounting possible. Load capacity details regarding the different mounting methods are available upon request.

Magnetic shield insulation 15 dB.

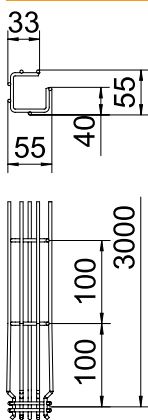


<b>St</b>	Steel
<b>FT</b>	Hot-dip galvanised

### Master data

Item no.	6005520
Type	G-GRM 50 50 FT
Description 1	G mesh cable tray Magic
Dimension	50x50x3000
Material	Steel
Material symbol	St
Surface	Hot-dip galvanised
Surface to DIN	DIN EN ISO 1461
Surface symbol	FT
Smallest sales unit (VG)	3 m
Weight	68,57 kg/100 m

### Technical data



Length	3.000,00 mm
Width	50,00 mm
Height	50,00 mm
Side height	50,00 mm
Dimension A	38,00 mm
Dimension B	55,00 mm
Dimension C	33,00 mm
Dimension H	55,00 mm
Connector version	Integrated connector
Wire diameter	3,90 mm
Suitable for maintaining electrical function	<input type="checkbox"/>
Integrated partition	Without
Usable cross-section	17,00 cm <sup>2</sup>
Usable cross-section	1.700,00 mm <sup>2</sup>
Profile shape	G-shaped
Rustproof steel, pickled	<input type="checkbox"/>
Wide-span version	<input type="checkbox"/>