

Technical data sheet

Cover clamp, universal

Item no. 6065600



Cover clamp for universal fastening of covers on cable trays, mesh cable trays and AZ small ducts. Depending on the tray width, 4–6 cover clamps are required for secure fastening of a 3 m cover. The cover clamp is not suitable for use with mesh cable trays with a side height of 35 mm.



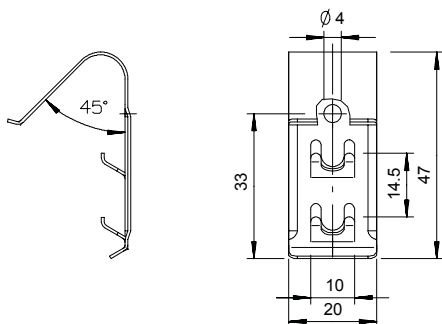
VA Stainless steel, rustproof 1.4310

2B Bright, reworked

Master data

Item no.	6065600
Type	DKU A2
Description 1	Cover clamp
Description 2	universal
Material	Stainless steel, grade 301
Material symbol	A2
Surface	Bright, reworked
Surface symbol	2B
Smallest sales unit (VG)	20 Piece
Weight	0,79 kg/100 pc.

Technical data



Dimension B	47,00 mm
Suitable for cable tray	<input checked="" type="checkbox"/>
Suitable for cable ladder	<input type="checkbox"/>
Suitable for mesh cable tray	<input checked="" type="checkbox"/>
Rustproof steel, pickled	<input type="checkbox"/>