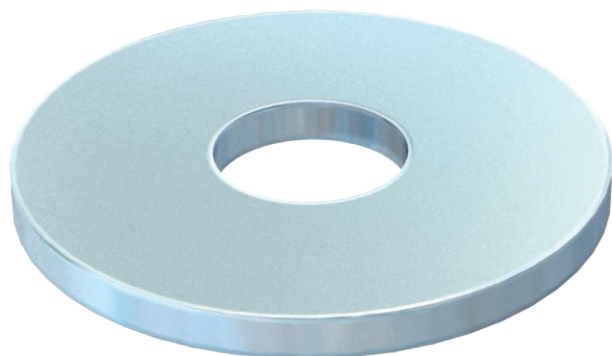


# Technical data sheet

## Large washer

Item no. 6408702



Washer of particularly large outer diameter.

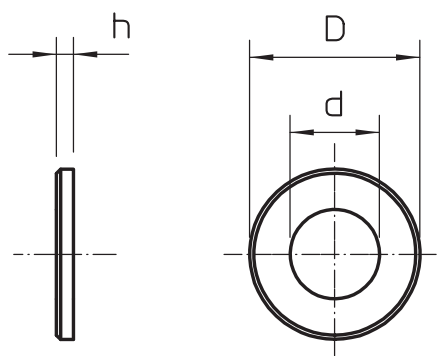


<b>St</b>	Steel
<b>F</b>	Hot galvanised

### Master data

Item no.	6408702
Type	DIN440 7 F
Description 1	Washer
Description 2	to DIN 440
Dimension	M6
Material	Steel
Material symbol	St
Surface	Hot galvanised
Surface to DIN	DIN 267, Teil 10
Surface symbol	F
Smallest sales unit (VG)	100 Piece
Weight	0,54 kg/100 pc.

### Technical data



Dimension D	22,00 - 22,00 mm
Dimension d	6,60 mm
Dimension h	2,00 mm
Outer-Ø	22,00 mm
Faceted	<input type="checkbox"/>
Hardened	<input type="checkbox"/>
Thread	M6
Hole diameter	6,60 mm
Material thickness	2,00 mm