

Technical data sheet

Cable gland with locknut as a set

Item no. 7205669



Robust cap nut cable gland with metric connecting thread to IEC 423, including pre-mounted locknut.

For high tightness requirements. Strain relief, torsion protection and tightness over the whole clamping area. Sealing ring made of polychloroprene/acrylonitrile butadiene rubber. Moulded shaped sealing lip on intermediate support, no connection thread sealing ring required.

VDE-tested according to DIN EN 50262, protection rating IP68 at 5 bar for 1 hr.

For maintenance of electrical function according to DIN 4102 Part 12 in connection with the closed junction boxes of the FireBox T series.

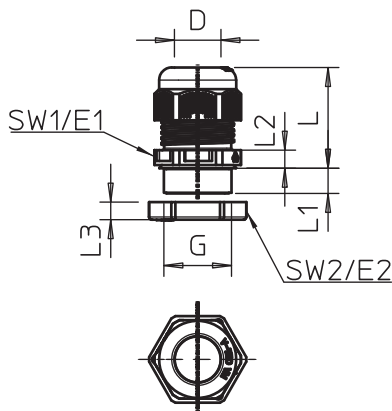
Colour: Pastel orange.

PA Polyamide

Master data

Item no.	7205669
Type	V-TEC VM40+ OR
Description 1	Cable gland
Description 2	with locknut
Dimension	M40
Colour	Pastel orange
RAL number	2003
Material	Polyamide
Material symbol	PA
Smallest sales unit (VG)	10 Piece
Weight	5,15 kg/100 pc.

Technical data



Dimension E	50,00 mm
Dimension E1	50,00 mm
Dimension E2	56,00 mm
Dimension G	M40 x 1,5 mm
Dimension L min.	36,00 mm
Dimension L max.	46,00 mm
Dimension L1	11,00 mm
Dimension L2	7,00 mm
Dimension L3	7,50 mm
WAF	44,00 mm
SW 1	44,00 mm
SW 2	50,00 mm
Bend protection	<input type="checkbox"/>
Sealing range D	16,00 - 28,00 mm
Flat cable threaded connection	<input type="checkbox"/>
For Ex zone	Without
For Ex zone gas	Without
For Ex zone dust	Without
Flame-resistant	acc. to VDE 0471/DIN 695 Part 2-1, test temperature 650°C
Thread	M40 x 1,5
Thread type	Metric
Thread length	11,00 mm
Thread increase	1,50 mm

Technical data sheet

Cable gland with locknut as a set

Item no. 7205669



Technical data

Fibre-glass reinforced	<input type="checkbox"/>
Halogen-free	<input checked="" type="checkbox"/>
Installation torque	10,00 Nm
Multiple sealing insert	<input type="checkbox"/>
With locknut	<input checked="" type="checkbox"/>
Impact-resistant	<input type="checkbox"/>
Protection rating	IP68
Splittable gland	<input type="checkbox"/>
max. permitted ambient temperature	-20,00 - 65,00 °C
Strain relief option	<input checked="" type="checkbox"/>