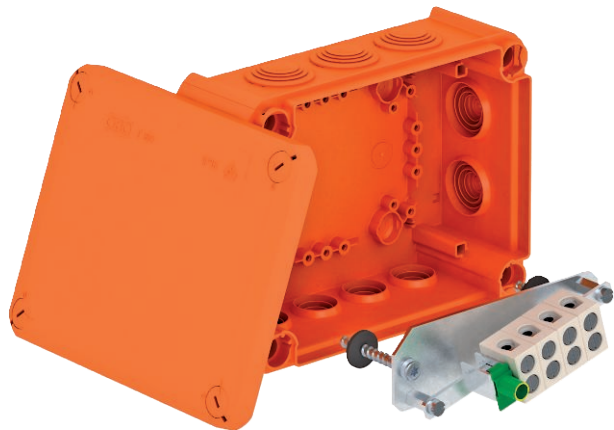


Technical data sheet

FireBox T160ED with internal fastening

Item no. 7205536



Halogen-free junction box with pre-mounted, soft plug-in seals, approved for the maintenance of electrical functionality according to DIN 4102 Part 12. Maintenance of electrical functionality classes E30 to E90.

Colour: Pastel orange.

Including pre-mounted connection unit made of high temperature-resistant special ceramic and labelled protective conductor terminal. Supplied with 2 MMS 6x50 fire protection screw ties for anchorless fastening.

Nominal cross-section of power cable: Max. 16 mm². Maximum of two 6 mm² rigid copper cables per terminal.

High protection rating IP66, impact resistance class IK05.

Details on the cable types and manufacturers can be found in the general construction test certificate of the material testing institute NRW, Erwitte.

Number of terminals including protective conductor terminal.
Internal clearance: 176x135x67 mm.

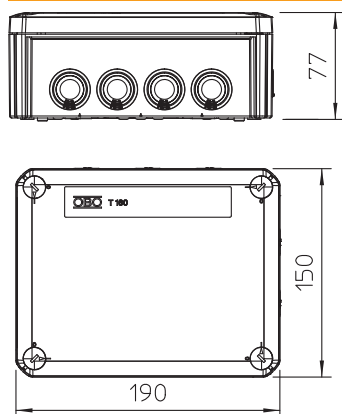
E30 E90 IP 66 E60

PP Polypropylene

Master data

| | |
|--------------------------|--------------------------|
| Item no. | 7205536 |
| Type | T 160 ED 16-5 |
| Description 1 | Junction box |
| Description 2 | for function maintenance |
| Dimension | 190x150x77 |
| Colour | Pastel orange |
| RAL number | 2003 |
| Material | Polypropylene |
| Material symbol | PP |
| Smallest sales unit (VG) | 1 Piece |
| Weight | 62,50 kg/100 pc. |

Technical data



| | |
|--------------------------------|-------------------------------------|
| Length | 190,00 mm |
| Width | 150,00 mm |
| Height | 77,00 mm |
| Clear internal dimensions | 176x135x67 mm |
| Dimension LxWxH | 190x150x77 mm |
| Expandable | <input type="checkbox"/> |
| No. of entries | 12 |
| Number of terminals | 5 |
| Type of housing penetration | Cutable stepped membrane |
| Measured insulation voltage Vi | 690,00 V |
| Equipment | Terminal |
| Cover | Not transparent |
| Cover fastening | Screwed |
| Entries | 7x M25 5x M32 |
| Entry from rear | <input type="checkbox"/> |
| Explosion-tested version | <input type="checkbox"/> |
| Shape | Rectangular |
| Function maintenance (ETIM) | E 90 |
| For Ex zone | Without |
| For Ex zone gas | Without |
| For Ex zone dust | Without |
| Halogen-free | <input checked="" type="checkbox"/> |
| With screening | <input type="checkbox"/> |
| With cover | <input checked="" type="checkbox"/> |
| Nominal cross section | 16,00 mm ² |
| Nominal voltage | 660,00 V |

Technical data sheet

FireBox T160ED with internal fastening

Item no. 7205536



Technical data

| | |
|-------------------|--------------------------|
| Protection rating | IP66 |
| Sealable | <input type="checkbox"/> |
| Impact-resistant | <input type="checkbox"/> |
| Transparent lid | <input type="checkbox"/> |
| Weatherproof | <input type="checkbox"/> |