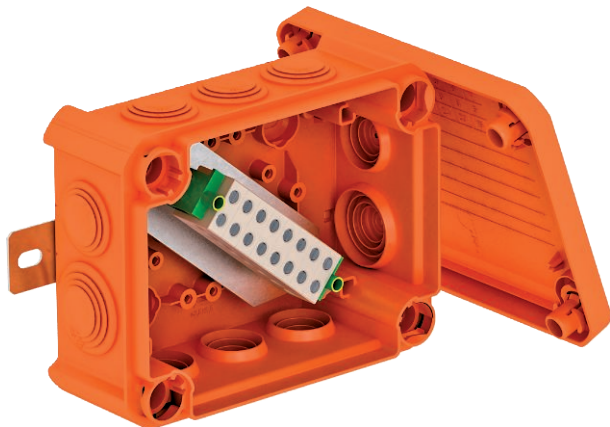


Technical data sheet

FireBox T100ED for data technology with external fastening

Item no. 7205583



Halogen-free junction box with pre-mounted, soft plug-in seals, approved for the maintenance of electrical functionality according to DIN 4102 Part 12. Maintenance of electrical functionality classes E30 to E90.

Colour: Pastel orange.

Fully mounted connection unit made of high temperature-resistant special ceramic and labelled protective conductor terminals. Supplied with 2 MMS 6x50 fire protection screw ties for anchorless fastening on the external straps.

The wire diameter of the data cables is \varnothing 0.8 mm. Up to 6 rigid copper wires (0.5 mm²) possible on each terminal. High protection rating IP66, impact resistance class IK08.

Details on the cable types and manufacturers can be found in the general construction test certificate of the material testing institute NRW, Erwitte.

Number of terminals, including 2 protective conductor terminals.

Internal clearance: 136x102x57 mm.

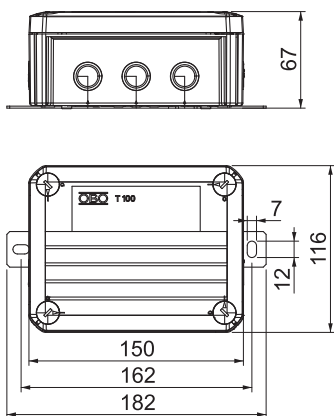


PP Polypropylene

Master data

Item no.	7205583
Type	T 100 ED 4-10 AD
Description 1	Junction box
Description 2	for function maintenance
Dimension	150x116x67
Colour	Pastel orange
RAL number	2003
Material	Polypropylene
Material symbol	PP
Smallest sales unit (VG)	1 Piece
Weight	45,60 kg/100 pc.

Technical data



Length	150,00 mm
Width	116,00 mm
Height	67,00 mm
Clear internal dimensions	136x102x57 mm
Dimension LxWxH	150x116x67 mm
Dimension	150x116x67 mm
Expandable	<input type="checkbox"/>
No. of entries	10
Number of terminals	10
Type of housing penetration	Cuttable stepped membrane
Measured insulation voltage V_i	690,00 V
Equipment	Terminal
Cover	Not transparent
Cover fastening	Screwed
Entries	8x M25 2x M32
Entry from rear	<input type="checkbox"/>
Explosion-tested version	<input type="checkbox"/>
Shape	Rectangular
Function maintenance (ETIM)	E 90
For Ex zone	Without
For Ex zone gas	Without
For Ex zone dust	Without
Halogen-free	<input checked="" type="checkbox"/>
With screening	<input type="checkbox"/>
With cover	<input checked="" type="checkbox"/>
Nominal cross section	4,00 mm ²

Technical data sheet

FireBox T100ED for data technology with external fastening
Item no. 7205583



Technical data

Nominal voltage	660,00 V
Protection rating	IP66
Sealable	<input type="checkbox"/>
Impact-resistant	<input type="checkbox"/>
Transparent lid	<input type="checkbox"/>
Weatherproof	<input type="checkbox"/>