

Technical data sheet

FireBox T100ED external fastening with fuse holder

Item no. 7205563



Halogen-free junction box with pre-mounted, soft plug-in seals, approved for the maintenance of electrical functionality according to DIN 4102 Part 12. Maintenance of electrical functionality classes E30 to E90.

Colour: Pastel orange.

Fully mounted connection unit made of high temperature-resistant special ceramic and labelled protective conductor terminal. Supplied with fuse holder TE-FH 520 for VDE-conformant, reaction-free protection of consumers and 2 fire protection screw ties MMS 6x50 for anchorless fastening on the external shackles.

Nominal cross-section of power cable: Max. 10 mm². Maximum of two 4 mm² rigid copper cables per terminal.

High protection rating IP66, impact resistance class IK08.

Details on the cable types and manufacturers can be found in the general construction test certificate of the material testing institute NRW, Erwitte.

Number of terminals including protective conductor terminal.
Internal clearance: 136x102x57 mm.

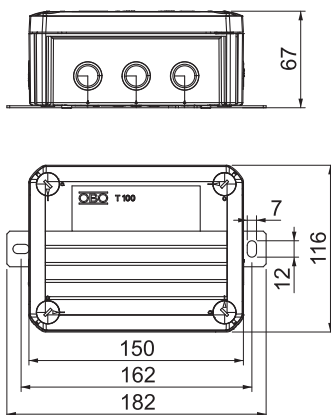
E30 E90 IP 66 E60

PP Polypropylene

Master data

Item no.	7205563
Type	T 100 ED 10-6 AF
Description 1	Junction box
Description 2	E30/E90, with fuse holder
Dimension	150x116x67
Colour	Pastel orange
RAL number	2003
Material	Polypropylene
Material symbol	PP
Smallest sales unit (VG)	1 Piece
Weight	43,34 kg/100 pc.

Technical data



Length	150,00 mm
Width	116,00 mm
Height	67,00 mm
Clear internal dimensions	136x102x57 mm
Dimension LxWxH	150x116x67 mm
Dimension	150x116x67 mm
Expandable	<input type="checkbox"/>
No. of entries	10
Number of terminals	6
Type of housing penetration	Cuttable stepped membrane
Measured insulation voltage Vi	690,00 V
Equipment	Terminal
Cover	Not transparent
Cover fastening	Screwed
Entries	8x M25 2x M32
Entry from rear	<input type="checkbox"/>
Explosion-tested version	<input type="checkbox"/>
Shape	Rectangular
Function maintenance (ETIM)	E 90
For Ex zone	Without
For Ex zone gas	Without
For Ex zone dust	Without
Halogen-free	<input checked="" type="checkbox"/>
With screening	<input type="checkbox"/>

Technical data sheet

FireBox T100ED external fastening with fuse holder

Item no. 7205563



Technical data

With cover	<input checked="" type="checkbox"/>
Nominal cross section	10,00 mm ²
Nominal voltage	660,00 V
Protection rating	IP66
Sealable	<input type="checkbox"/>
Impact-resistant	<input type="checkbox"/>
Transparent lid	<input type="checkbox"/>
Weatherproof	<input type="checkbox"/>