

Technical data sheet

Reducer hood 1025

Item no. 7216404



Fitting hood to cover a symmetrical reduction on a straight stretch of BSKM 1025 to BSKM 0711. Including glued-in seals for closing the joints and loose seals when combining with lock plate; screws for equipotential bonding also included.

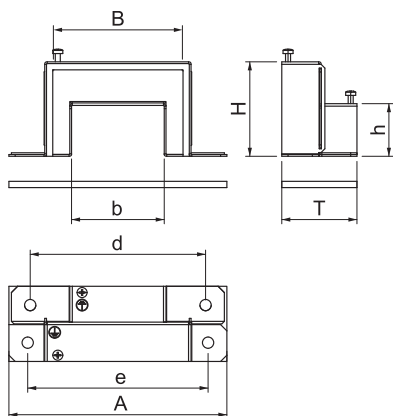


| | |
|-----------|------------------|
| St | Steel |
| FS | Strip galvanised |

Master data

| | |
|---------------------|-------------------------------|
| Item no. | 7216404 |
| Type | BSKM-RE 1025 FS |
| Description 1 | Reducer |
| Description 2 | for wall and ceiling mounting |
| Dimension | 100x250 |
| Material | Steel |
| Material symbol | St |
| Surface | Strip galvanised |
| Surface to DIN | DIN EN 10346 |
| Surface symbol | FS |
| Smallest sales unit | 1,00 Piece |
| Weight | 73,20 kg/100 pc. |

Technical data



| | |
|---|-----------|
| Width | 314,00 mm |
| Height | 105,00 mm |
| Dimension A | 314,00 mm |
| Dimension B | 250,00 mm |
| Dimension b | 110,00 mm |
| Dimension d | 220,00 mm |
| Dimension e | 284,00 mm |
| Dimension H | 100,00 mm |
| Dimension h | 70,00 mm |
| Dimension T | 61,00 mm |
| Number of flammable sides | 3 |
| Cover fastening | Screw |
| Fire resistance class I – installation duct | 120,00 |
| Jacketing | Steel |
| Material of the insulation | Other |