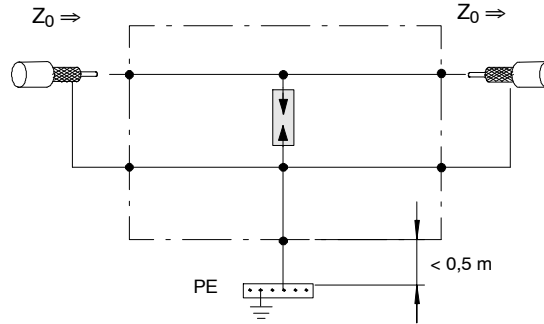
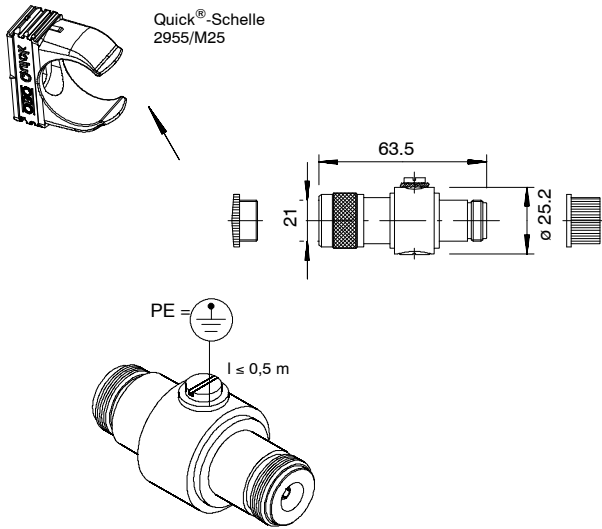


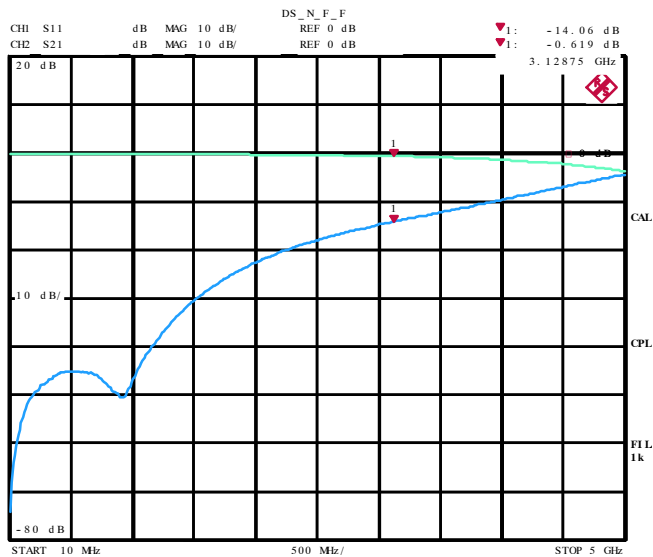
DS-N W/W

Schaltbild / Protective circuit



Technical Data / Technische Daten

Typ	DS-N W/W
Item-No.:	5093988
I_L	10 A
U_C	130 V AC / 185 V DC
LPZ	LPZ 0-→2
Impulse durability line-line	C2: 10kV
Impulse durability line-earth	C2: 10kV
Total impulse durability lines-earth (I_{total})	10kA (8/20)
Total impulse durability lines-earth (I_{total})	D1: 5kA (10/350)
U_P (line-line)	800 V
U_P (line-earth)	800 V
R_{iso}	$\geq 1 \text{ G}\Omega$
v °C	- 40 °C - + 80 °C
Impedance Z_0	50 Ω
Return loss S 11	14 dB@3 GHz
Insertion loss S 21	0,62 dB@3 GHz
Capacitance (line-line)	$\leq 10 \text{ pF}$
Capacitance (line-earth)	$\leq 20 \text{ pF}$
Connector	N Jack female/female
Standard	IEC 61643-21



Das Überspannungsschutzgerät darf nur im Spannungslosen Zustand eingebaut werden

The SPD may only be installed into the circuit onvoltage free lines

LPZ IEC 61643-21
0→2 IEC 62305-4



Head Office OBO BETTERMANN GmbH & Co. KG
Postfach 1120 · 58694 Menden, Germany
Hüngser Ring 52 · D-58710 Menden
Tel. +49 (0)2373-89-0 Fax +49 (0)2373-89-238
E-Mail: info@obo.de · www.obo-bettermann.com

Technical Hotline
Telefon +49 (0)2373/89-1500
Telefax +49 (0)2373/89-1550
E-Mail hotline@obo.de