

Technical data sheet

Cap nut cable gland, EMC, metric thread, nickel-plated

Item number: 2086207



With metric connecting thread to IEC 423, robust EMV cap-nut cable gland with large sealing area. Strain relief, wringing protection and tightness over the whole clamping area. Neoprene sealing ring. Polyamide terminal insert. With pre-mounted O sealing ring on connection thread, VDE-tested to DIN EN 50262, protection rating IP 68 at 5 bar for 1 hr.

* Prices according to DEL notation.



CuZn
37 Brass

N Nickel-plated

Master data

Item number	2086207
Type	V-TEC VM16 EMV
Description 1	Cable gland EMV
Description 2	for cable with shielding
Manufacturer	OBO
Dimension	M16
Material	Brass
Surface	Nickel-plated
Surface standard	
Smallest sales unit	50
Unit of quantity	Piece
Weight	1.837 kg
Weight unit	kg/100 pc.
CO2 Footprint (GWP) Cradle-to-Gate	0,0472 kg CO2e / 1 Piece

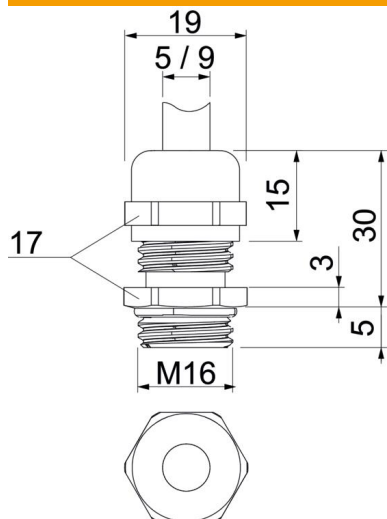
Technical data sheet

Cap nut cable gland, EMC, metric thread, nickel-plated

Item number: 2086207



Dimensions



Dimension E	19 mm
Dimension L max.	30 mm
Dimension L1	5 mm
Dimension L2	3 mm
Dimension L3	15 mm

Technical data

Type of seal	Sealing ring
Version for	Straight
Bend protection	no
Sealing area D, max.	9 mm
Sealing area D, min.	5 mm
Flat cable gland	no
For Ex zone	Without
Thread	M16 x 1,5
Thread type	Metric
Thread length	5 mm
Fibre-glass reinforced	no
Halogen-free	no
Unstable torque	3.5 Nm
Impact category	5
Strain relief category	A
Sealing insert, multiple	no
With locknut	no
Impact-resistant	no
WAF	17
Protection rating	IP68
Permitted temperature range, max.	100 °C
Permitted temperature range, min.	-20 °C
Strain relief option	yes