

Technical data sheet

Pipe end cap, splittable, metric, black

Item number: 2047987



Separable pipe end cap to slot onto metric electrical installation pipes. The separable pipe end cap can be used for repairs on existing installations according to regulations. It is not necessary to disconnect the cables, allowing quick mounting.



PE Polyethylene

Master data

Item number	2047987
Type	129 TB M50 SW
Description 1	Pipe end sleeve, separable
Description 2	metric
Manufacturer	OBO
Dimension	M50
Colour	Black
Material	Polyethylene
Smallest sales unit	30
Unit of quantity	Piece
Weight	0.935 kg
Weight unit	kg/100 pc.
CO2 Footprint (GWP) Cradle-to-Gate	0,0808 kg CO2e / 1 Piece

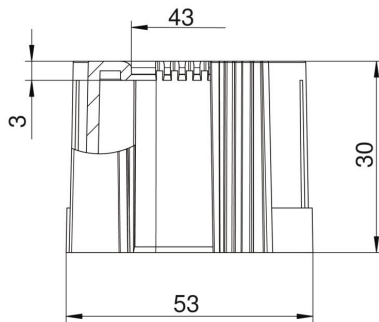
Technical data sheet

Pipe end cap, splittable, metric, black

Item number: 2047987



Dimensions



Dimension D1	53 mm
Dimension D2	43 mm
Dimension L1	30 mm
Dimension L2	3 mm

Technical data

Version for pipe diameter	50 mm
Size	M50
Halogen-free	yes
Brushed surface	no
Polished surface	no