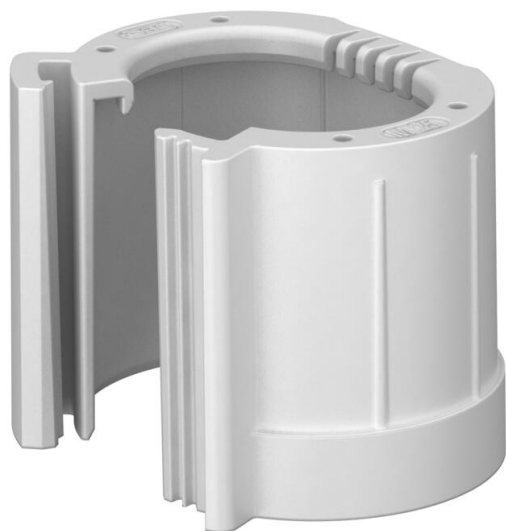


# Technical data sheet

## Pipe end cap, splittable, metric, light grey

Item number: 2047855



Separable pipe end cap to slot onto metric electrical installation pipes. The separable pipe end cap can be used for repairs on existing installations according to regulations. It is not necessary to disconnect the cables, allowing quick mounting.



**PE** Polyethylene

### Master data

|                                    |                            |
|------------------------------------|----------------------------|
| Item number                        | 2047855                    |
| Type                               | 129 TB M32                 |
| Description 1                      | Pipe end sleeve, separable |
| Description 2                      | metric                     |
| Manufacturer                       | OBO                        |
| Dimension                          | M32                        |
| Colour                             | Light grey; RAL 7035       |
| Material                           | Polyethylene               |
| Smallest sales unit                | 50                         |
| Unit of quantity                   | Piece                      |
| Weight                             | 0.66 kg                    |
| Weight unit                        | kg/100 pc.                 |
| CO2 Footprint (GWP) Cradle-to-Gate | 0,0226 kg CO2e / 1 Piece   |

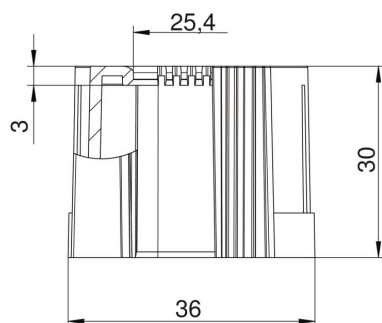
# Technical data sheet

Pipe end cap, splittable, metric, light grey

Item number: 2047855



## Dimensions



|              |         |
|--------------|---------|
| Dimension D1 | 36 mm   |
| Dimension D2 | 25.4 mm |
| Dimension L1 | 30 mm   |
| Dimension L2 | 3 mm    |

## Technical data

|                           |       |
|---------------------------|-------|
| Version for pipe diameter | 32 mm |
| Size                      | M32   |
| Halogen-free              | yes   |
| Brushed surface           | no    |
| Polished surface          | no    |