

Technical data sheet

Electrogalvanised steel bend, with thread

Item number: 2046782



90° bend for electrical installation pipes according to EN 61386-1 with threaded ends to DIN EN 60423. With burr-free inner wall.
One connection sleeve is already screwed onto each pipe bend.



- St** Steel
- G** Electrogalvanized

Master data

Item number	2046782
Type	SBNM40 G
Description 1	Conduit threaded bend
Description 2	with threaded coupler
Manufacturer	OBO
Dimension	M40x1,5
Material	Steel
Surface	Electrogalvanized
Surface standard	EN ISO 19598 / EN ISO 4042
Smallest sales unit	15
Unit of quantity	Piece
Weight	77.6 kg
Weight unit	kg/100 pc.
CO2 Footprint (GWP) Cradle-to-Gate	1,7394 kg CO2e / 1 Piece

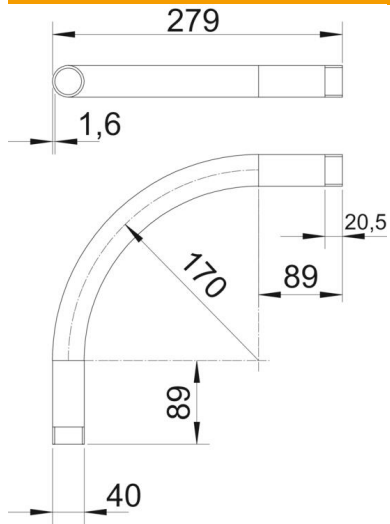
Technical data sheet

Electrogalvanised steel bend, with thread

Item number: 2046782



Dimensions



Dimension A	89 mm
Dimension B	279 mm
Dimension D	40 mm
Dimension l	20.5 mm
Dimension m (mm)	M40
Dimension R	170 mm
Dimension t	1.6 mm

Technical data

Version for	Thread
Flexible	no
For nominal pipe diameter	40 mm
Thread	M40x1,5
Halogen-free	no
With inspection opening and lid	no
With sleeve	yes
Brushed surface	no
Polished surface	no
Angle of the bend	90 °
Two-part	no