

Technical data sheet

Electrogalvanised steel bend, with thread

Item number: 2046781



90° bend for electrical installation pipes according to EN 61386-1 with threaded ends to DIN EN 60423. With burr-free inner wall.
One connection sleeve is already screwed onto each pipe bend.



- St** Steel
- G** Electrogalvanized

Master data

Item number	2046781
Type	SBNM32 G
Description 1	Conduit threaded bend
Description 2	with threaded coupler
Manufacturer	OBO
Dimension	M32x1,5
Material	Steel
Surface	Electrogalvanized
Surface standard	EN ISO 19598 / EN ISO 4042
Smallest sales unit	20
Unit of quantity	Piece
Weight	56.6 kg
Weight unit	kg/100 pc.
CO2 Footprint (GWP) Cradle-to-Gate	1,3489 kg CO2e / 1 Piece

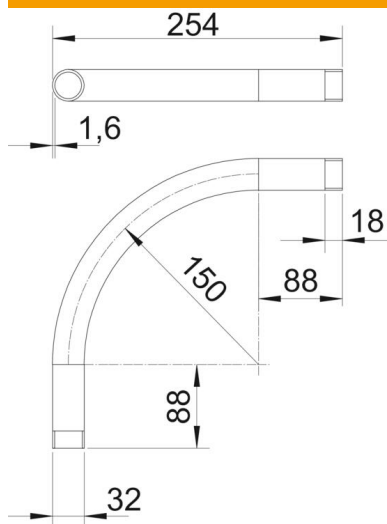
Technical data sheet

Electrogalvanised steel bend, with thread

Item number: 2046781



Dimensions



Dimension A	88 mm
Dimension B	254 mm
Dimension D	32 mm
Dimension l	18 mm
Dimension m (mm)	M32
Dimension R	150 mm
Dimension t	1.6 mm

Technical data

Version for	Thread
Flexible	no
For nominal pipe diameter	32 mm
Thread	M32x1,5
Halogen-free	no
With inspection opening and lid	no
With sleeve	yes
Brushed surface	no
Polished surface	no
Angle of the bend	90 °
Two-part	no