

Technical data sheet

Spacer clip 733 ALU

Item number: 1362826



Spacer clip for the installation of pipes and cables on walls, ceilings and floors.
With self-locking upper part. Fastening via slot.



Alu Aluminium

Master data

Item number	1362826
Type	ASL 733 36 ALU
Description 1	Distance saddle
Description 2	with slot
Manufacturer	OBO
Dimension	30-36mm
Material	Aluminium
Smallest sales unit	20
Unit of quantity	Piece
Weight	1.802 kg
Weight unit	kg/100 pc.
CO2 Footprint (GWP) Cradle-to-Gate	0,2325 kg CO2e / 1 Piece

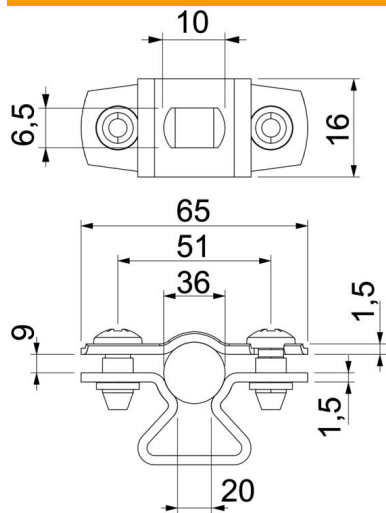
Technical data sheet

Spacer clip 733 ALU

Item number: 1362826



Dimensions



Dimension A	65 mm
Dimension B	51 mm
Dimension b	16 mm
Dimension D	36 mm
Dimension d max.	36 mm
Dimension d min.	30 mm
Dimension L	10 mm
Dimension s	20 mm
Dimension t1 (mm)	1.5
Dimension t2 (mm)	1.5
Dimension x	9 mm

Technical data

Distance to the wall	yes
Number of cables/pipes	1
Version for	Closed
Fastening type	Screw hole
For diameter	30 - 36
Halogen-free	yes
Plastic-covered	no
Material thickness	1.5 mm
Clamping range D, max.	36 mm
Clamping range D, min.	30 mm
UV-resistant	yes