

Technical data sheet

Cable and pipe spacer clip 732 with threaded connection

Item number: 1360159



Mounting with screw-in spacer clips. Spacer clips and screw-in spacer clips are available in various materials: in V2A stainless steel, in electrogalvanised, hot-dip galvanised steel or in aluminium. Fastening can take place with bolt ties or angler anchors and Sprint screws.

Depending on the design, the clips can be "shot" using a bolt-firing tool or nail device.



St Steel

GTP Electrogalvanized, transparently passivated

Master data

| | |
|------------------------------------|---|
| Item number | 1360159 |
| Type | 732 15 GTP |
| Description 1 | Distance saddle |
| Description 2 | with threaded connection M6 |
| Manufacturer | OBO |
| Dimension | 15mm |
| Material | Steel |
| Surface | Electrogalvanized, transparently passivated |
| Surface standard | |
| Smallest sales unit | 100 |
| Unit of quantity | Piece |
| Weight | 1.53 kg |
| Weight unit | kg/100 pc. |
| CO2 Footprint (GWP) Cradle-to-Gate | 0,0436 kg COe / 1 Piece |

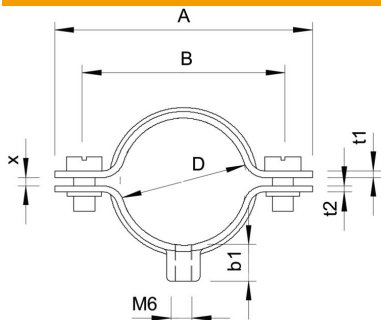
Technical data sheet

Cable and pipe spacer clip 732 with threaded connection

Item number: 1360159



Dimensions



| | |
|-------------------|--------|
| Length | 41 mm |
| Dimension A | 41 mm |
| Dimension B | 29 mm |
| Dimension b1 | 8 mm |
| Dimension t1 (mm) | 1 |
| Dimension t2 (mm) | 1.25 |
| Dimension x | 1.5 mm |

Technical data

| | |
|----------------------------------|---------------------|
| Distance to the wall | yes |
| Number of cables/pipes | 1 |
| Version for | Closed |
| Fastening type | Threaded connection |
| Suitable in fire protection area | yes |
| Size | PG9 |
| Halogen-free | yes |
| Plastic-covered | no |
| Hole size | M6 mm |
| Material thickness | 1 mm |
| Bolt | M5 x 12 |
| Clamping range D, max. | 15 mm |
| Clamping range D, min. | 13.5 mm |
| UV-resistant | yes |