

Technical data sheet

Clamp clip, single, A4 metal pressure trough

Item number: 1158207



Suitable for all C profile rails with slot width 18 mm and 22 mm.



A4 Stainless steel

2B Bright, treated

Master data

Item number	1158207
Description 1	Clamp clip
Description 2	with metal pressure sump
Manufacturer	OBO
Dimension	8-12mm
Material	Stainless steel
Surface	Bright, treated
Surface standard	
Smallest sales unit	100
Unit of quantity	Piece
Weight	3.3 kg
Weight unit	kg/100 pc.
CO Footprint (GWP) Cradle-to-Gate	0,175 kg COe / 1 Piece

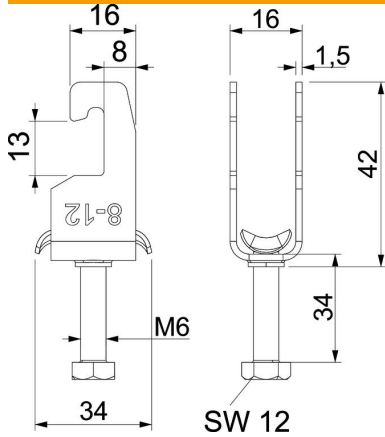
Technical data sheet

Clamp clip, single, A4 metal pressure trough

Item number: 1158207



Dimensions



Dimension B	16 mm
Dimension C	34 mm
Dimension G (mm)	M6
Dimension H	43.5 mm
Dimension L	25.5 mm
Dimension t	1.5 mm

Technical data

Number of cables/pipes	1
for rail with slot width (with interval), max.	22 mm
for rail with slot width (with interval), min.	18 mm
Halogen-free	no
Max. Tightening torque	3 Nm
With plastic trough	no
With metal trough	yes
Mounting type	Profile rail
Impact-resistant	no
Clamping range D, max.	12 mm
Clamping range D, min.	8 mm
Surface addition	Untreated
Material addition	Rustproof steel
With counter-trough	no
Material of trough	Rustproof steel
Material quality of trough	Other