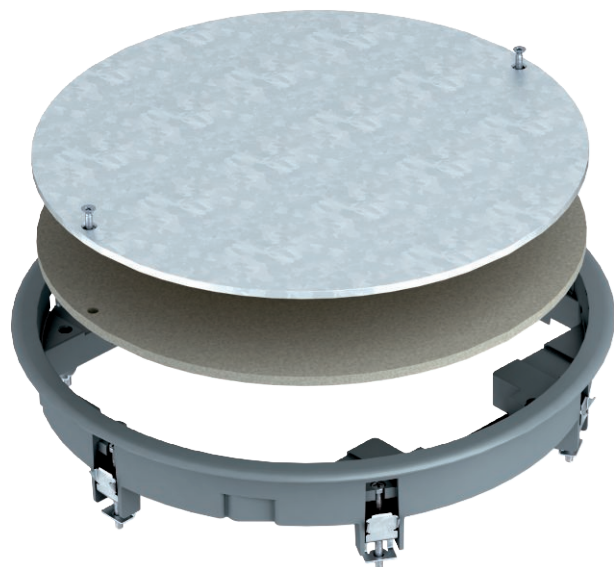


Technical data sheet

ZESR7 inspection cover

Item no. 7406788



Junction box insert for blank closing of a round mounting opening of nominal size R7 in trunking systems and in raised and cavity floors for indoor use. With universal fixing bracket. Polyamide carpet protection frame.

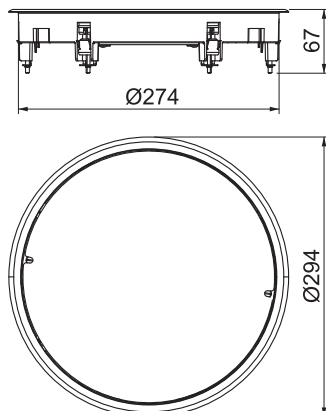


PA Polyamide

Master data

Item no.	7406788
Type	ZESR7 10U 7011
Description 1	Junction box insert
Description 2	for universal mounting
Colour	Iron grey
RAL number	7011
Material	Polyamide
Material symbol	PA
Smallest sales unit (VG)	1 Piece
Weight	225,80 kg/100 pc.

Technical data



Dimension h	78,00 mm
External diameter	294,00 mm
Installation diameter	275
Number of installable devices	0
Version for	Round
Cable outlet version	No cable outlet
Floor covering thickness	10,00 mm
Floor care	Dry
Installation depth	78,00 mm
Floor height	75 mm
Suitable for wet care	<input type="checkbox"/>
Suitable for screed-covered underfloor ducts	<input checked="" type="checkbox"/>
Suitable for raised floor installation	<input checked="" type="checkbox"/>
Suitable for cavity floor installation	<input checked="" type="checkbox"/>
Suitable for underfloor ducts	<input checked="" type="checkbox"/>
Nominal size for device installation units	R7
Suitable for underfloor box	350
Opening mechanism	Tool
Frame version	Carpet protection frame