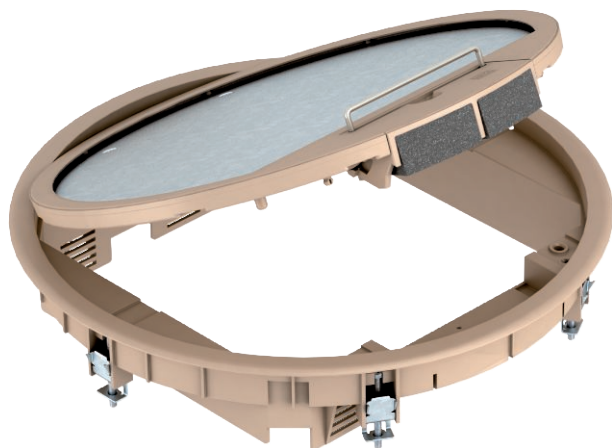


# Technical data sheet

## GESR9 service outlet with carpet protection frame in hinged cover

Item no. 7405520



Service outlet with handle clamp for up to 12 individual Modul 45 devices in 3 UT4 universal supports, use in duct systems and system floors for indoor use.

Up to 9 installation devices with 50 mm central plate can be inserted.

Also to be used in conjunction with the MT mounting support. The number of installable accessories depends on the type of accessories.

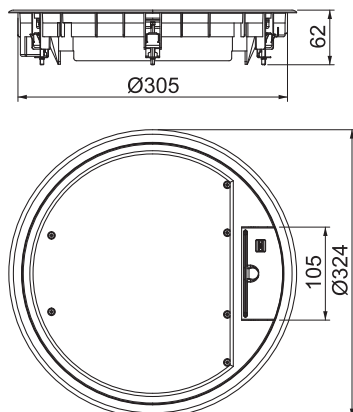


PA Polyamide

### Master data

Item no.	7405520
Type	GESR9 SR U 1019
Description 1	Service outlet
Description 2	for universal mounting
Dimension	324x324x62
Colour	Grey-beige
RAL number	1019
Material	Polyamide
Material symbol	PA
Smallest sales unit (VG)	1 Piece
Weight	270,00 kg/100 pc.

### Technical data



Dimension h	73,00 mm
External diameter	324,00 mm
Installation diameter	305
Number of installable devices	12
Number of mounting boxes	3
Cable outlet version	Swivellable cord outlet
Floor covering thickness	5,00 mm
Floor covering protection frame	<input checked="" type="checkbox"/>
Floor care	Dry
Version for	Round
Installation depth	73,00 mm
Floor height	73 mm
Device support to accept mounting boxes	<input checked="" type="checkbox"/>
Suitable for wet care	<input type="checkbox"/>
Suitable for screed-flush closed underfloor ducts	<input type="checkbox"/>
Suitable for screed-covered underfloor ducts	<input checked="" type="checkbox"/>
Suitable for raised floor installation	<input checked="" type="checkbox"/>
Suitable for cavity floor installation	<input checked="" type="checkbox"/>
Suitable for underfloor ducts	<input checked="" type="checkbox"/>
With floor covering recess	<input checked="" type="checkbox"/>
Nominal size for device installation units	R9

# Technical data sheet

GESR9 service outlet with carpet protection frame in hinged cover

Item no. 7405520



## Technical data

Suitable for underfloor box	350
Opening mechanism	Handle
Schwerlastausführung	<input type="checkbox"/>
Typ des Einbausystems	UT4
Approvals	