

Technical data sheet

GESR9 service outlet with locking slider

Item no. 7405466



PA Polyamide

Service outlet with locking slider for up to 12 individual Modul 45 devices in 3 UT4 universal supports, use in duct and trunking systems and system floors.
5 mm floor covering recess in the hinged cover, if necessary, adjustable to 3, 10 or 12 mm.

Up to 9 installation devices with 50 mm central plate can be inserted.

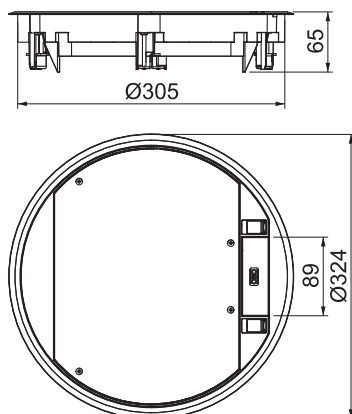
Service outlet with locking slider, 3-compartment, for the installation of MT9 mounting support. Three type APMT5 cover plates can be installed.

Floor covering recess in the hinged cover pre-adjusted to 5 mm, if necessary adjustable to 3, 10 or 12 mm.

Master data

Item no.	7405466
Type	GESR9-2U12T 9011
Description 1	Service outlet
Description 2	for universal mounting
Dimension	324x324x68
Colour	Graphite black
RAL number	9011
Material	Polyamide
Material symbol	PA
Smallest sales unit (VG)	1 Piece
Weight	244,00 kg/100 pc.

Technical data



Dimension h	73,00 mm
External diameter	324,00 mm
Installation diameter	304
Number of installable devices	12
Number of mounting boxes	3
Cable outlet version	Swivellable cord outlet
Floor covering thickness	12,00 mm
Floor covering protection frame	<input checked="" type="checkbox"/>
Floor care	Dry
Version for	Round
Seal installation option	<input type="checkbox"/>
Installation depth	73,00 mm
Floor height	72 mm
Device support to accept mounting boxes	<input checked="" type="checkbox"/>
Suitable for wet care	<input type="checkbox"/>
Suitable for screed-flush closed underfloor ducts	<input checked="" type="checkbox"/>
Suitable for screed-covered underfloor ducts	<input checked="" type="checkbox"/>
Suitable for raised floor installation	<input checked="" type="checkbox"/>
Suitable for cavity floor installation	<input checked="" type="checkbox"/>
Suitable for underfloor ducts	<input checked="" type="checkbox"/>
With floor covering recess	<input checked="" type="checkbox"/>

Technical data sheet

GESR9 service outlet with locking slider

Item no. 7405466



Technical data

Nominal size for device installation units	R9
Suitable for underfloor box	350
Opening mechanism	Locking slider
Frame version	Carpet protection frame
Schwerlastausführung	<input type="checkbox"/>
Typ des Einbausystems	UT4
Approvals	
Vertical load, small area	to 3,000 N
Vertical load, large area	to 5,000 N