

Technical data sheet

MCR protection for 2-pole power supply with remote signalling, 24 V AC/DC
Item no. 5097820



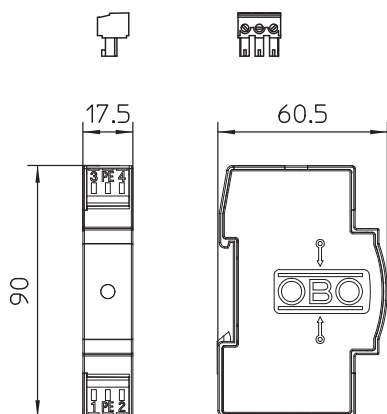
Surge protection / fine power protection, type 3, to EN 61643-11 with remote signalling

- With remote signalling, potential-free changeover contact, for function monitoring
- Suitable for DC and AC systems
- With visual function display
- With easy mounting, screwless connection terminals
- In space-saving 17.5 mm grid
- Y circuit

Application: Universal use on 35 mm DIN profile rails in any standard distributor housing.



Dimensions



Master data

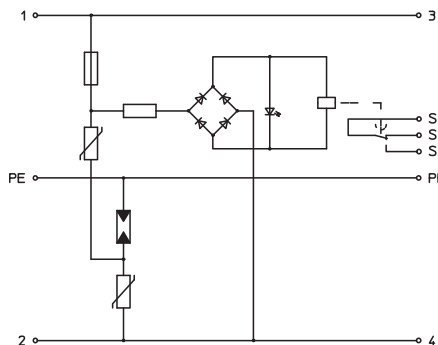
Item no.	5097820
Type	VF24-AC/DC-FS
Description 1	Lightning barrier
Description 2	with remote signalling
Dimension	24V AC
Smallest sales unit (VG)	1 Piece
Weight	6,62 kg/100 pc.

Technical data sheet

MCR protection for 2-pole power supply with remote signalling, 24 V AC/DC
Item no. 5097820



Technical data



SPD to EN 61643-11	Type 3
SPD to IEC 61643-11	Class III
Test class, type 3	<input checked="" type="checkbox"/>
Nominal voltage	24,00 V
Maximum continuous voltage AC	34,00 V
Max. continuous operating voltage	34,00 V
U max AC	34,00 V
Maximum continuous voltage DC	46,00 V
U max DC	46,00 V
Nominal discharge current (8/20)	0,7 kA
Rated current	20,00 A
Maximum discharge current (8/20 µs)	2,00 kA
Protection level	< 0,13 kV
Protection level [L-N]	1.000,00 kV
Response time	<25 ns
Maximum back-up fuse	16,00 A
Temperature range	-40+80 °C
Pole version	2
Pole number	3
Version	2-pole
Mounting type	Hat rail 35 mm
Installation type	DIN rail 35 mm
Protection rating	IP20
Protection rating	IP 20
Blow-out	<input type="checkbox"/>
Division unit TE (17.5 mm)	1
Remote signalling	<input checked="" type="checkbox"/>
Telecommunications contact	<input checked="" type="checkbox"/>
Connection cross-section, flexible	0,14 - 2,50 mm ²
Connection cross-section, rigid	0,14 - 2,50 mm ²
Connection cross-section, multi-wire	0,14 - 2,50 mm ²
Signalling on device	Visual