

# Technical data sheet

## CombiController V65 B+C 3+NPE 280 V

Item no. 5093751



Combination arrester, lightning and surge arrester type 1+2

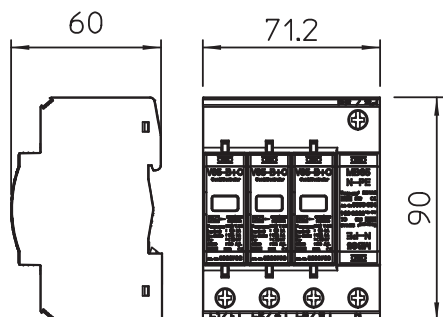
- For lightning protection equipotential bonding to VDE 0185-305 (IEC 62305)
- Lightning current arresting capacity 12.5 kA (10/350) per pole and 65 kA (8/20) in total
- Universally suitable for TN and TT systems
- Complete unit, consisting of upper part and base, pre-mounted and ready for connection
- Plug-in arrester with dynamic cut-off unit
- With visual function display
- Encapsulated, non-extinguishing zinc oxide varistor arrester for use in distributor housings
- Labelled connections

Application: Lightning protection equipotential bonding in buildings, even those with external lightning protection of Class III and IV, and in standard distributor housings.

\* Complete = Upper part and base



### Dimensions



### Master data

Item no.	5093751
Type	V65-B+C 3+NPE
Description 1	CombiController V65
Description 2	3-pole + NPE
Dimension	280V
Smallest sales unit (VG)	1 Piece
Weight	52,00 kg/100 pc.

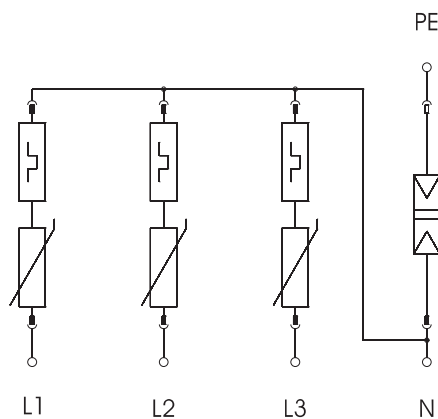
# Technical data sheet

## CombiController V65 B+C 3+NPE 280 V

Item no. 5093751



### Technical data



PE	SPD to EN 61643-11	Type 1+2
	SPD to IEC 61643-11	Class I+II
	Maximum continuous voltage AC	280,00 V
	Max. continuous operating voltage	280,00 V
	Maximum continuous voltage (N-PE)	255,00 V
	Nominal discharge current (8/20)	20 kA
	Nominal discharge current (8/20 µs) [L-N]	20,00 kA
	Nominal discharge current (8/20 µs) [N-PE]	30,00 kA
	Maximum discharge current (8/20 µs)	65,00 kA
	Maximum discharge current (8/20 µs) [L-N]	65,00 kA
	Maximum discharge current (8/20 µs) [N-PE]	65,00 kA
	Impulse discharge current (10/350)	12,50 kA
	Lightning impulse current (10/350) (N-PE)	50,00 kA
	Lightning impulse current (10/350) (L-N)	12,50 kA
	Lightning surge current (10/350)	50,00 kA
	Protection level	< 1,5 kV
	Protection level (L-N)	< 1,5 kV
	Protection level (N-PE)	< 1,5 kV
	Response time	<25 ns
	Maximum back-up fuse	125,00 A
	Temperature range	-40+80 °C
	Pole version	3+N/PE
	Version	3 + NPE
	Protection rating	IP20
	Protection rating	IP 20
	Blow-out	□
	Division unit TE (17.5 mm)	4
	Connection cross-section, flexible	2,50 - 25,00 mm <sup>2</sup>
	Connection cross-section, rigid	2,50 - 35,00 mm <sup>2</sup>
	Connection cross-section, multi-wire	2,50 - 35,00 mm <sup>2</sup>