

# Technical data sheet

## Lightning current and surge arrester, 4-pole

Item no. 5093631



Combination arrester, lightning and surge arrester type 1+2 to DIN EN 61643-11.

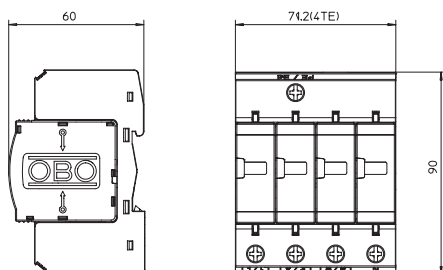
- For lightning protection equipotential bonding to VDE 0185-305 (IEC 62305)
- Lightning current arresting capacity 12.5 kA (10/350) per pole
- For TN-C systems
- With new Multibase base with multi-connection terminals
- Complete unit, consisting of upper part and base, pre-mounted and ready for connection
- Plug-in arrester with dynamic cut-off unit
- With visual function display
- Protection level < 1.3 kV
- Encapsulated, non-extinguishing zinc oxide varistor arrester for use in distributor housings
- Labelled connections

Application: Lightning protection equipotential bonding in buildings, even those with external lightning protection of Class III and IV, and in standard distributor housings.

\* Complete = Plug-in arrester and base



### Dimensions



### Master data

Item no.	5093631
Type	V50-B+C 4
Description 1	CombiController V50
Description 2	4-pole version
Dimension	280V
Smallest sales unit (VG)	1 Piece
Weight	53,00 kg/100 pc.

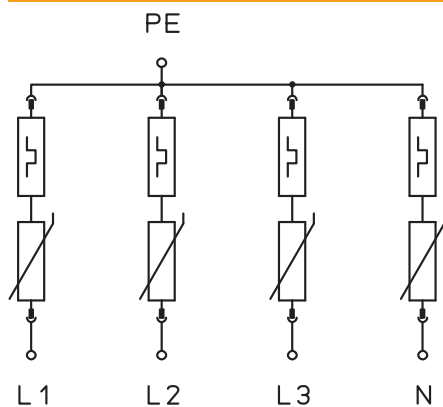
# Technical data sheet

## Lightning current and surge arrester, 4-pole

Item no. 5093631



### Technical data



SPD to EN 61643-11	Type 1+2
SPD to IEC 61643-11	Class I+II
Nominal voltage	230,00 V
Maximum continuous voltage AC	280,00 V
Max. continuous operating voltage	280,00 V
Nominal discharge current (8/20)	30 kA
Nominal discharge current (8/20 µs) [L-N]	30,00 kA
Maximum discharge current (8/20 µs)	50,00 kA
Impulse discharge current (10/350)	12,50 kA
Lightning impulse current (10/350) (L-N)	12,50 kA
Lightning surge current (10/350)	50,00 kA
Arrester surge current (8/20) [total]	120,00 kA
Protection level	< 1,3 kV
Protection level (L-N)	< 1,3 kV
Protection level (N-PE)	< 1,5 kV
Response time	<25 ns
Maximum back-up fuse	125,00 A
Temperature range	-40-+80 °C
Pole version	4
Pole number	4
Version	4-pole
Version	4-pole
Mounting type	Hat rail 35 mm
Installation type	DIN rail 35 mm
Protection rating	IP20
Protection rating	IP 20
Blow-out	<input type="checkbox"/>
Size	4 part units
Division unit TE (17.5 mm)	4
Remote signalling	<input type="checkbox"/>
Telecommunications contact	<input type="checkbox"/>
Integrated back-up fuse	<input type="checkbox"/>
Max. cable cross-section flexible (fine-wire)	25,00 mm <sup>2</sup>
Max. cable cross-section rigid (single wire/multi-wire)	35,00 mm <sup>2</sup>
Connection cross-section, flexible	2,50 - 25,00 mm <sup>2</sup>
Connection cross-section, rigid	2,50 - 35,00 mm <sup>2</sup>
Connection cross-section, multi-wire	2,50 - 35,00 mm <sup>2</sup>
Signalling on device	Visual