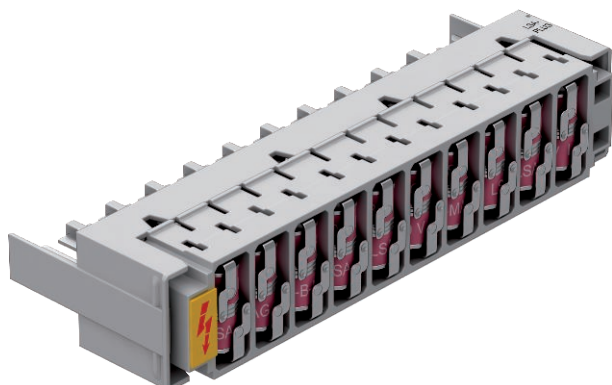


Technical data sheet

LSA basic protection magazine

Item no. 5084020



LSA basic protection magazine for use in multi-core data cable systems, MCR systems and telephone switchboards.

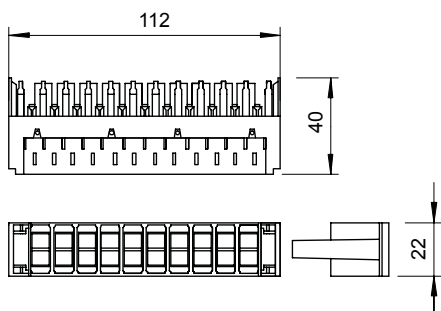
- Basic protection
- Equipped with 20 gas arresters
- Max. voltage: 180 V

Application: Directly on LSA-Plus separating strips or connection rails (e.g. OBO LSA-A-LEI (5084 00 8) or OBO LSA-T-LEI (5084 01 2).

Basic protection magazine to protect 10 two-cores.



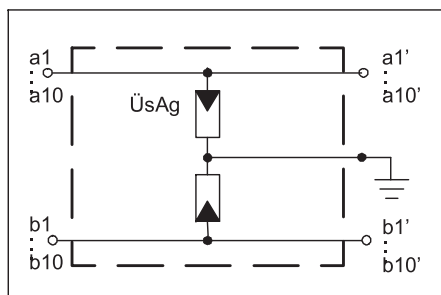
Dimensions



Master data

| | |
|--------------------------|------------------------------|
| Item no. | 5084020 |
| Type | LSA-B-MAG |
| Description 1 | Basic protection magazine |
| Description 2 | 10 double wires for LSA Plus |
| Dimension | 180V |
| Smallest sales unit (VG) | 1 Piece |
| Weight | 8,60 kg/100 pc. |

Technical data



| | |
|------------------------------------|--------------------|
| Category | Type 1+2 / D1+C2 |
| SPD to IEC 61643-21 | Class I+II / D1+C2 |
| Version | Basic protection |
| Number of poles | 20 |
| Total discharge current (8/20) | 10 kA |
| Total discharge current (10/350) | 1 kA |
| Maximum continuous voltage AC | 120,00 V |
| Maximum continuous voltage DC | 180,00 V |
| Insulation resistance | > 1 GΩ |
| Impulse discharge current (10/350) | 0,50 kA |
| Capacity (wire-wire) | < 10 pF |
| Capacity (wire-earth) | < 10 pF |
| Lightning protection zone LPZ | 0-2 |
| Rated current | 1,00 A |

Technical data sheet

LSA basic protection magazine

Item no. 5084020



Technical data

| | |
|-------------------------------|---------------------------|
| Nominal load current AC | 0,70 A |
| Nominal load current DC | 1,00 A |
| Installation type | LSA-Plus, connectable |
| Testing standard | IEC 61643-21 |
| Protection rating | IP20 |
| Protection level @ C1 | <750 V |
| Connection system | Other |
| Impulse durability wire-wire | C2: 10 kV / 5 kA (8/20µs) |
| Impulse durability wire-earth | C2: 10 kV / 5 kA (8/20µs) |
| Temperature range | -40+80 °C |