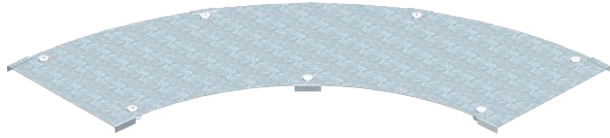


Technical data sheet

Cover for 90° bend WDBRL

Item no. 6231527



Cover for wide span 90° bend with pre-mounted turn buckles.

As the connector is mounted from the outside, the fitting cover is 300 mm shorter than the corresponding fitting. This must be considered when installing the track elements.

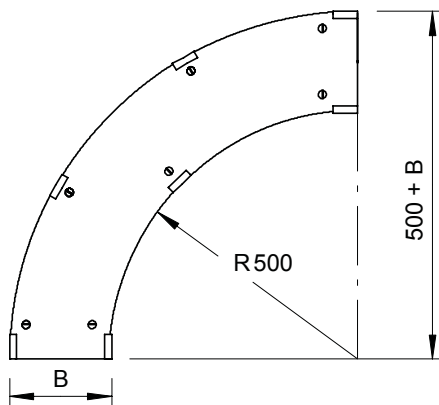


- St** Steel
- DD** Strip galvanised zinc/aluminium, Double Dip

Master data

Item no.	6231527
Type	WDBRL 90 20 DD
Description 1	90° bend cover
Description 2	wide span system 110 and 160
Manufacturer	OBO
Dimension	B200mm
Material	Steel
Material symbol	St
Surface	Strip galvanised zinc/aluminium, Double Dip
Surface to DIN	DIN EN 10346
Surface symbol	DD
Smallest sales unit (VG)	1 Piece
Weight	165,10 kg/100 pc.

Technical data



Width	200,00 mm
Side height	110,00 mm
Dimension B	200,00 mm
Dimension H	15,00 mm
Bend (angle)	90°
Number of turn buckles	7,00 pc.
Fastening type	Turn buckle
Plate thickness	1,00 mm
Suitable for cable tray	<input checked="" type="checkbox"/>
Suitable for mesh cable tray	<input type="checkbox"/>
Suitable for cable ladder	<input checked="" type="checkbox"/>
Rustproof steel, pickled	<input type="checkbox"/>
Hinged	<input type="checkbox"/>