

Technical data sheet

Clamping piece FT

Item number: 6015271



Hold-down clamp for fastening mesh cable trays on the ground or on stand-off brackets of type DBL.
Use on mesh cable trays with 50 x 100 mm grid only.



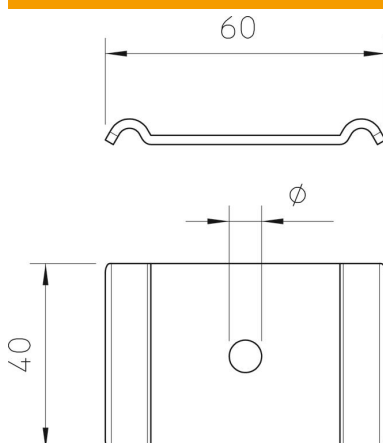
St Steel

FT Hot-dip galvanised

Master data

| | |
|---------------------|--------------------|
| Item number | 6015271 |
| Type | GKS 50 07 FT |
| Description 1 | Hold-down clamp |
| Description 2 | for screw M6 |
| Manufacturer | OBO |
| Dimension | 60x40 |
| Material | Steel |
| Surface | Hot-dip galvanised |
| Surface standard | DIN EN ISO 1461 |
| Smallest sales unit | 50 |
| Unit of quantity | Piece |
| Weight | 3.59 kg |
| Weight unit | kg/100 pc. |

Dimensions



| | |
|-----------|---------|
| Dimension | 60 x 40 |
|-----------|---------|

Technical data sheet

Clamping piece FT

Item number: 6015271



Technical data

| | |
|------------------------------|---------------|
| Suitable for mesh cable tray | yes |
| Suitable for cable ladder | no |
| Suitable for cable tray | no |
| Hole diameter | 7 mm |
| Rustproof steel, pickled | no |
| Connection type | Miscellaneous |