

Technical data sheet

EX ISG N spark gap

Item number: 5240089



Isolating spark gap for potentially explosive areas Zone 1/21 and 2/22, for indirect bridging of insulating flanges and insulating screw connections, e.g. in cathodically corrosion-protected (CCP) systems. For indirect connection of operationally separated system parts in the event of lightning. Use in accordance with lightning equipotential bonding to DIN EN 62305/VDE 0185. Suitable for installation indoors and outdoors as well as in damp rooms. Particularly low rated impulse response voltage.

- Isolating spark gap in accordance with VDE 0185-561-3 (IEC 62561-3)
- Ex certification according to ATEX
- Labelling in accordance with EN IEC 60079-0 / EN 60079-1: II 2G Ex db IIC T6 Gb
- Labelling according to EN IEC 60079-0 / IEC 60079-31: II 2D Ex td IIIC T80°C Db IP67
- Ex certification according to IECEx
- Labelling according to IEC 60079-0 / -1: Ex db IIC T6 Gb
- Labelling according to IEC 60079-0 / -31: Ex tb IIIC T80°C Db IP67



Master data

Item number	5240089
Type	EX ISG N
Description 1	Spark gap
Description 2	indirect equipotential bonding
Manufacturer	OBO
Dimension	215x47x35
Colour	Black
Smallest sales unit	1
Unit of quantity	Piece
Weight	31.4 kg
Weight unit	kg/100 pc.

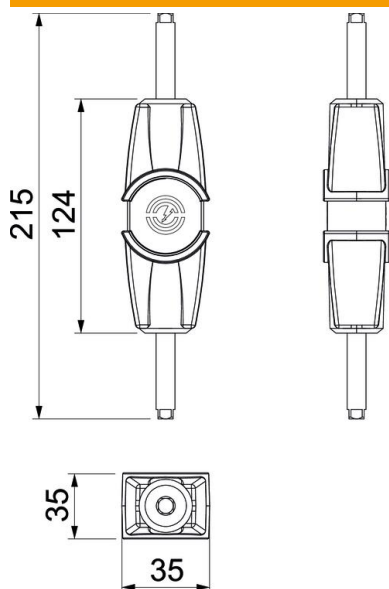
Technical data sheet

EX ISG N spark gap

Item number: 5240089



Dimensions



Dimension | 215x47x35

Technical data

Connection	Rd 10 mm
Connecting cable length	0 m
Power frequency spark-over voltage	0.64 kV
Rated impulse sparkover voltage	1.5 kV
Rated DC withstand voltage	425 V
Rated power frequency withstand voltage	300 V
Lightning current carrying capacity	N/50 kA
Lightning impulse current	50 kA
Nominal discharge surge current	100 kA
Protection rating	IP65/67
Permitted temperature range, max.	80 °C
Permitted temperature range, min.	-20 °C
Material of the connection	Stainless steel, rustproof