

Technical data sheet

Surge protective device CNS 3 D

Item number: 5092701



Surge protective device, type 3, to DIN EN 61643-11,
intended for use in protective contact sockets.

- With visual and audible signalling, function display
- 3-way socket
- Length of connection cable: 2 m
- Y circuit for high electrical safety

Application: For example, the protection of PCs, printers, copiers, fax machines,
etc.



Master data

Item number	5092701
Type	CNS 3-D-D
Description 1	Surge protective device
Description 2	Germany version
Manufacturer	OBO
Dimension	230V
Colour	Black
Smallest sales unit	1
Unit of quantity	Piece
Weight	65 kg
Weight unit	kg/100 pc.

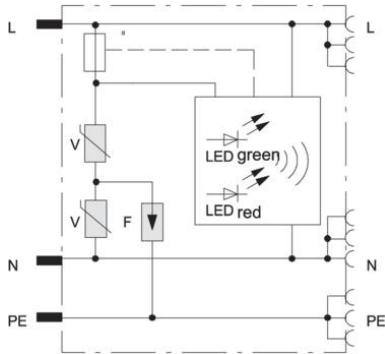
Technical data sheet

Surge protective device CNS 3 D

Item number: 5092701



Technical data



Connecting cable length	2 m
Response time	<25 ns
Blow-out	no
Telecommunications contact	no
Max. continuous operating voltage	255 V
Lightning protection zone LPZ	2→3
Country-specific version	D
Maximum back-up fuse	16 A
Nominal discharge surge current	2.5 kA
Rated current	16 A
Nominal voltage	230 V
Protection level	1000/ 1500 kV
Protection level (L-N / L/N-PE)	< 1000 / < 1500 V
Protection level (L-N)	< 1,0 kV
Protection level (N-PE)	< 1,5 kV
Signalling on device	Optical and acoustic
SPD to EN 61643-11	Type 3
SPD to IEC 61643-1	Class III
Cable type for surge protection devices	Power cable AV