

Technical data sheet

Fastening element for cable junction box on cable trays

Item number: 2007835



The fastening element BE TS KR can be used to attach OBO junction boxes, type T60 and T100, to all standard cable trays in a few actions, quickly and without tools.

This keeps the junction box securely in position. However, it can be quickly dismantled as necessary. This is all done without using tools.



PC Polycarbonate

Master data

Item number	2007835
Type	BE TS KR
Description 1	Fastening element T60-T100
Description 2	for cable trays
Manufacturer	OBO
Colour	Light grey
Material	Polycarbonate
Smallest sales unit	10
Unit of quantity	Piece
Weight	2.8 kg
Weight unit	kg/100 pc.
CO Footprint (GWP) Cradle-to-Gate	0,134 kg COe / 1 Piece

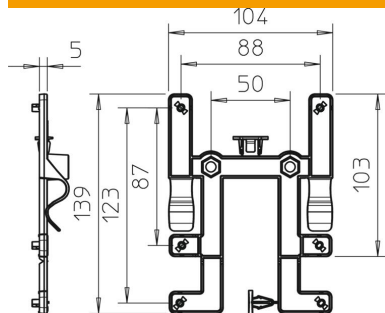
Technical data sheet

Fastening element for cable junction box on cable trays

Item number: 2007835



Dimensions



Width	104 mm
Height	139 mm

Technical data

Version for	Horizontal
Fastening type	Clamp fastening
Rustproof steel, pickled	no