

# Technical data sheet

## Cable and pipe spacer clip 733 G

Item number: 1361201



- \* Size M16 is not suitable for nail device
- \* Sizes M16 - PG16 are not suitable for bolt-firing tool



**St** Steel

**G** Electrogalvanized

### Master data

Item number	1361201
Type	733 21 G
Description 1	Distance saddle
Description 2	with slot
Manufacturer	OBO
Dimension	19-21mm
Material	Steel
Surface	Electrogalvanized
Surface standard	EN ISO 19598 / EN ISO 4042
Smallest sales unit	50
Unit of quantity	Piece
Weight	2.73 kg
Weight unit	kg/100 pc.

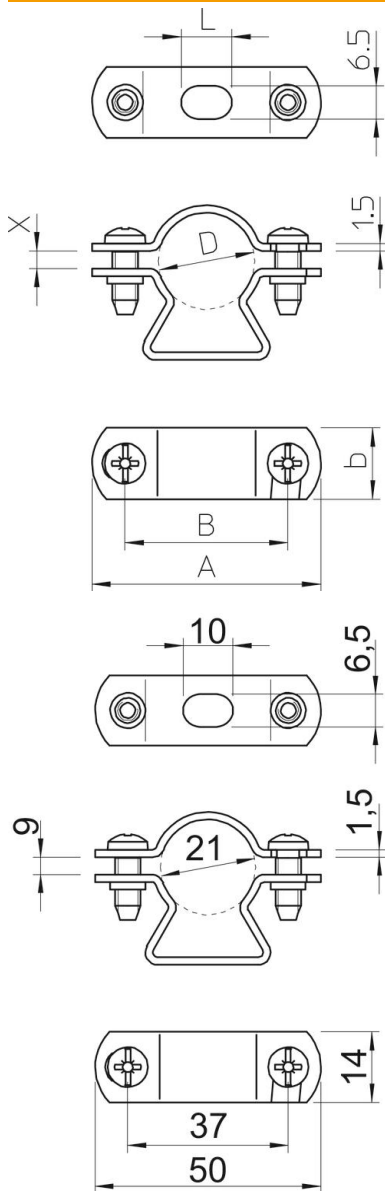
# Technical data sheet

## Cable and pipe spacer clip 733 G

Item number: 1361201



### Dimensions



Length	50 mm
Dimension A	50 mm
Dimension B	37 mm
Dimension b	14 mm
Dimension D	21 mm
Dimension L	10 mm
Dimension x	9 mm

### Technical data

Distance to the wall	yes
Number of cables/pipes	1
Version for	Closed
Fastening type	Screw hole
For diameter	21

# Technical data sheet

## Cable and pipe spacer clip 733 G

Item number: 1361201



### Technical data

Suitable in fire protection area	yes
Size	M20
Halogen-free	yes
Plastic-covered	no
Hole size	6,5 x 10 mm
Material thickness	1.5 mm
Bolt	M5 x 14
Clamping range D, max.	21 mm
Clamping range D, min.	19 mm
UV-resistant	yes