

Technical data sheet

Ribbon clip, 6 mm-wide

Item number: 2330059



Design E, single lock, UV and weather-resistant.

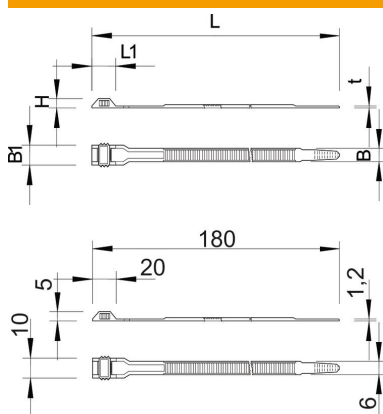


PA Polyamide

Master data

Item number	2330059
Type	550 6X180 SW
Description 1	Strip clip
Description 2	single lock
Manufacturer	OBO
Dimension	6x180mm
Colour	Black
Material	Polyamide
Smallest sales unit	100
Unit of quantity	Piece
Weight	0.18 kg
Weight unit	kg/100 pc.

Dimensions



Dimension B	6 mm
Dimension L	180 mm
Dimension t	1.2 mm

Technical data sheet

Ribbon clip, 6 mm-wide

Item number: 2330059



Technical data

Version for	Externally toothed
Fastening type	Without
Halogen-free	yes
Max. Bundle diameter	45 mm
minimum breaking load	0.25 kN