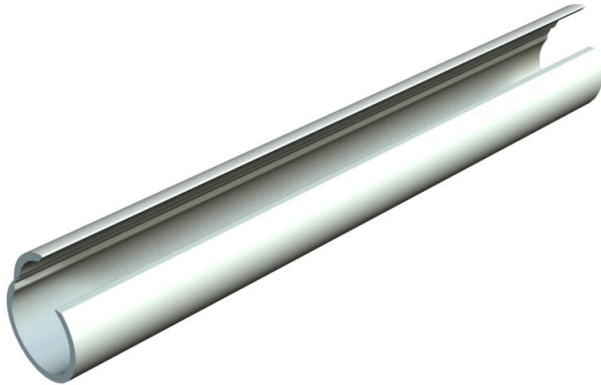


Technical data sheet

Quick-Pipe®, pure white

Item number: 2153966



Open plastic Quick-Pipe® pipe for surface-mounted routing of cables in interiors and protected outdoor areas. Mounting on wall and ceiling with Quick clip, pro-Quick clip and Multi-Quick clip. Toolless closing and opening through turning in the clip. Can be used in a temperature range of -25 to +60 °C.



PVC Polyvinylchloride

Master data

Item number	2153966
Type	2953 M25 RW
Description 1	Quick pipe
Manufacturer	OBO
Dimension	M25
Colour	Pure white; RAL 9010
Material	Polyvinylchloride
Smallest sales unit	30
Unit of quantity	Metre
Weight	16 kg
Weight unit	kg/100 m
CO Footprint (GWP) Cradle-to-Gate	0,2839 kg COe / 1 Meter

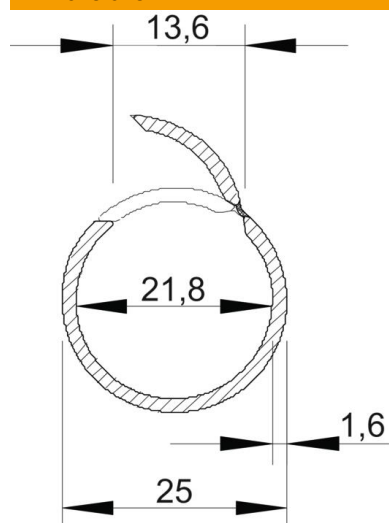
Technical data sheet

Quick-Pipe®, pure white

Item number: 2153966



Dimensions



Length	2,000 mm
Dimension C	13.6 mm
Dimension D	25 mm
Dimension m (mm)	21,8
Dimension t	1.6 mm

Technical data

Surface-mounted	yes
Flame-resistant version	no
Concrete installation	no
Size	M25
Halogen-free	no
Installation on wood	yes
Installation in the earth	no
Installation outdoors	no
Classification code	0
Machines and system installation	yes
With sleeve	no
Permitted temperature range, max.	60 °C
Permitted temperature range, min.	-25 °C
Underfloor installation (screed)	no
Concealed	no